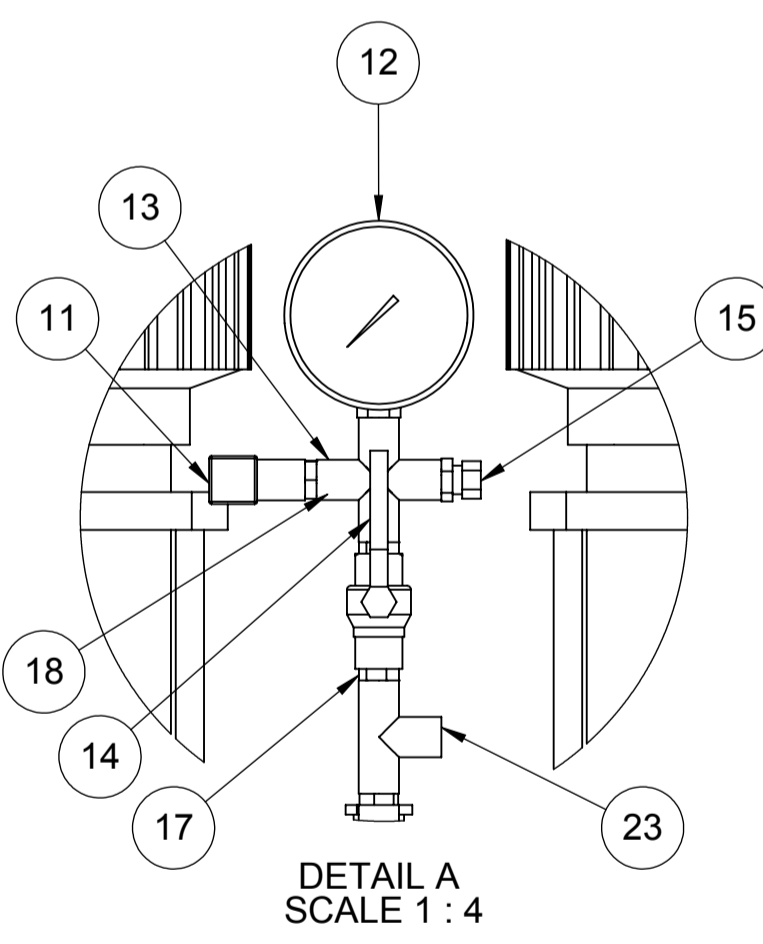
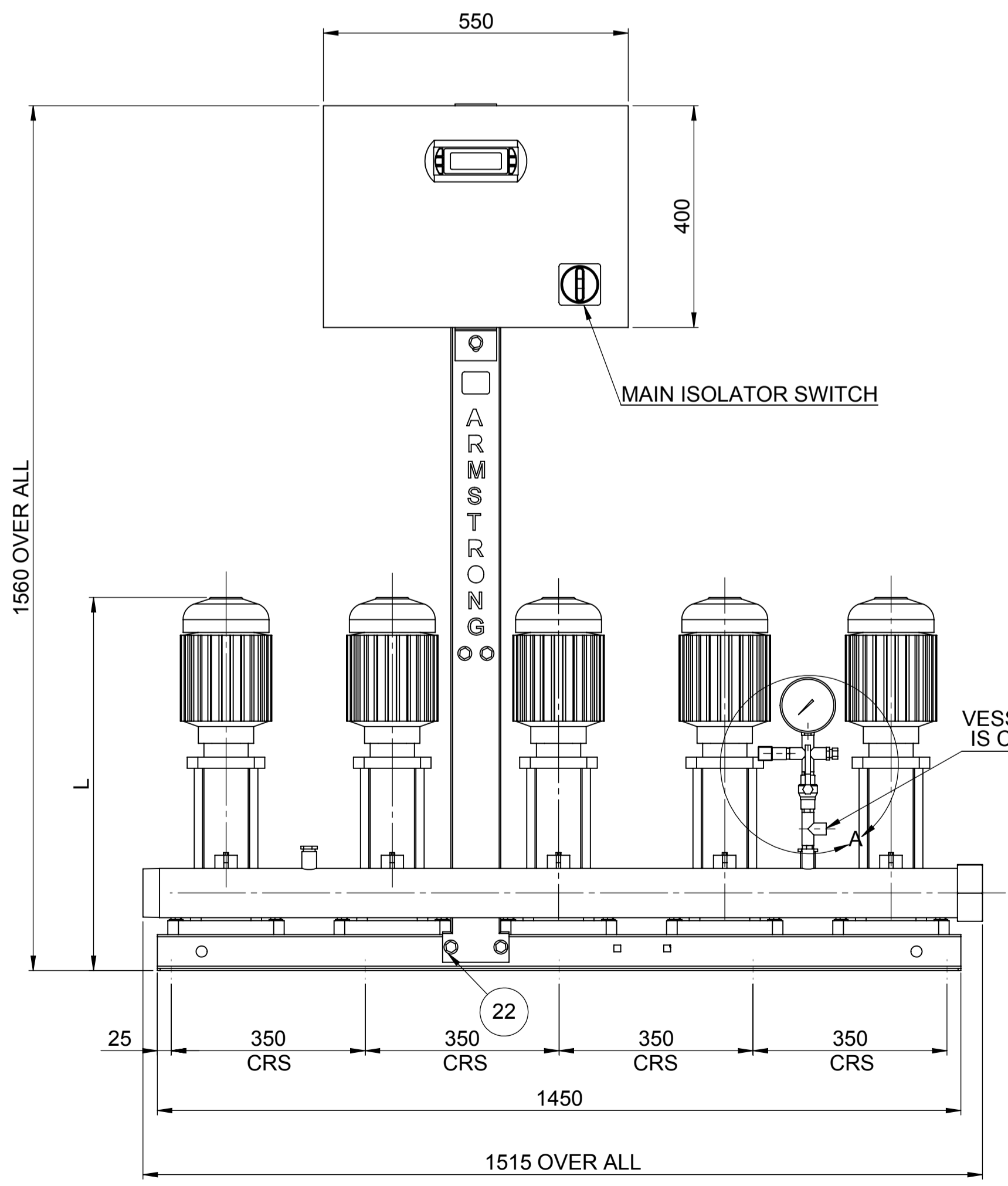
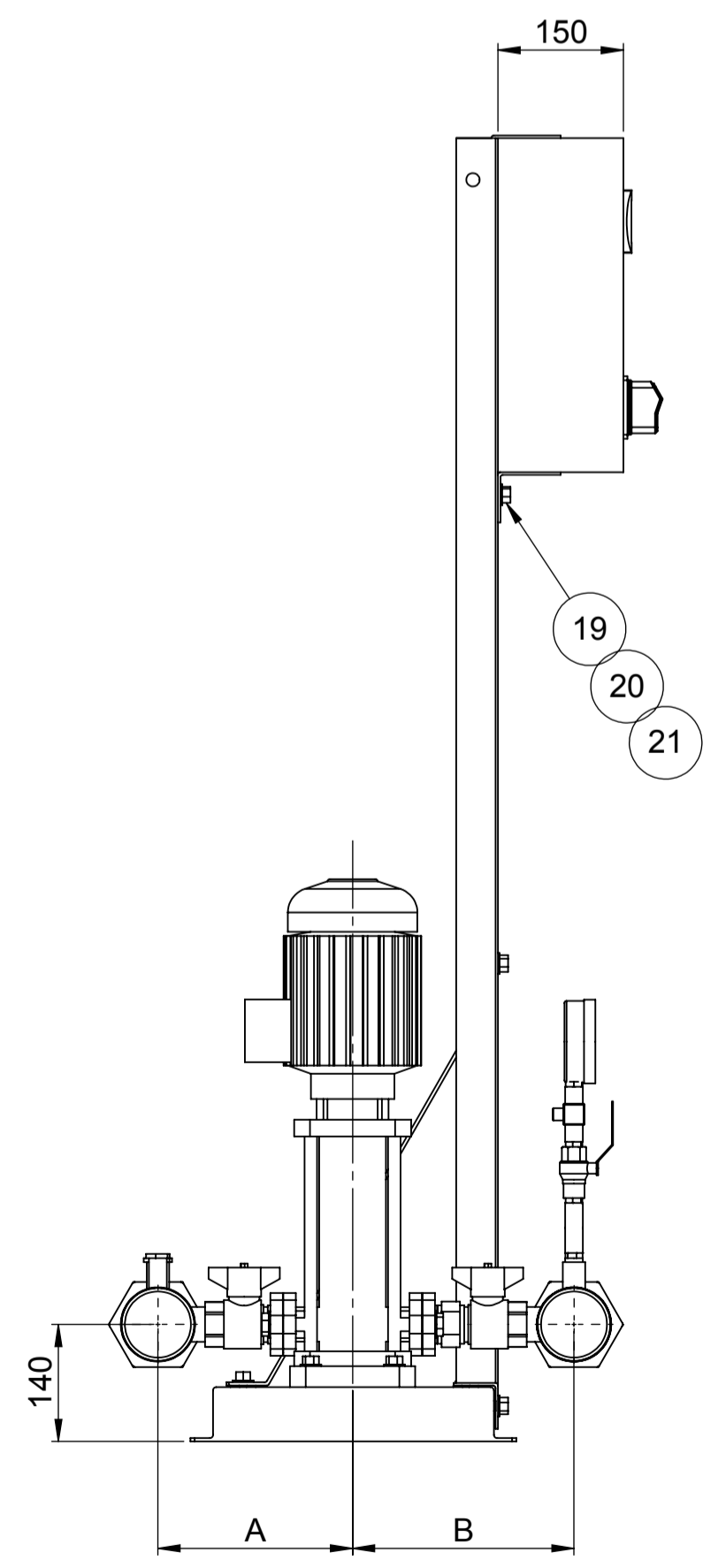
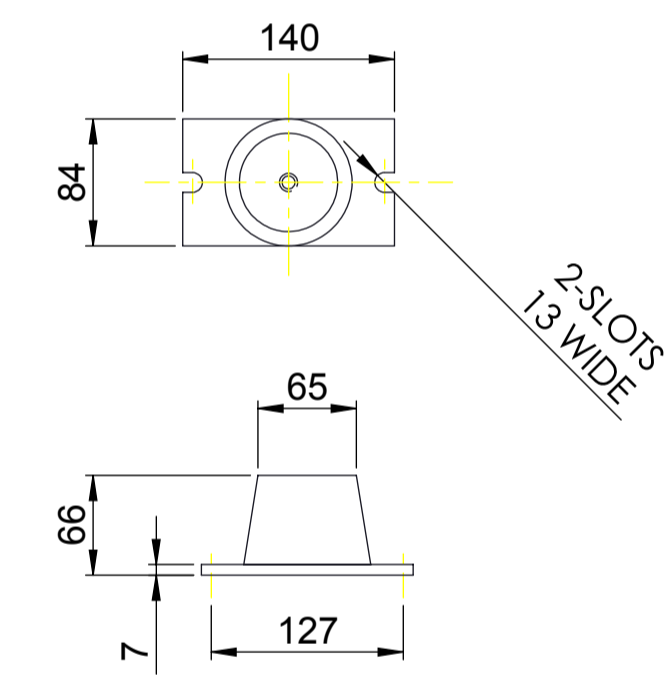


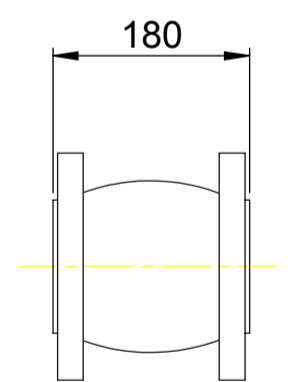
PUMP SIZE	MOTOR KW	FLC AMPS 3x415W	PUMP WEIGHT KGS	SET WEIGHT KGS	VESSEL SIZE LTRS	WORKING PRESSURE MAX BAR	TEST PRESSURE MAX BAR	STARTING CURRENT	L MM	A MM	B MM
SV0402	0.55	1.5	17.5	171	60	2	24	4	559	233	265
SV0403	0.55	1.5	18.5	173	60	2.9	24	4	606	233	265
SV0404	0.75	1.9	21	178	60	3.9	24	6	636	233	265
SV0405	1.1	2.6	22	180	60	4.9	24	6	698	233	265
SV0406	1.1	2.6	22.5	181	60	5.9	24	6	723	233	265
SV0407	1.1	2.6	23	182	60	6.9	24	6	748	233	265
SV0408	1.5	3.6	29.5	195	60	1.8	24	6	783	233	265
SV0409	1.5	3.6	30	196	60	8.8	24	6	808	233	265
SV0411	2.2	5	32	200	60	10.8	24	10	858	233	265
SV0413	2.2	5	33	202	60	12.8	24	10	908	233	265
SV0414	3	6.6	39	214	60	13.8	24	16	983	233	265



ANTI-VIBRATION MOUNTINGS OPTIONAL ONLY SUPPLIED WHEN ORDERED (4-PER SET K2092/10)



FLEXIBLE CONNECTORS OPTIONAL ONLY SUPPLIED WHEN ORDERED (2-PER SHEET)



- NOTE:-
- 1) MAIN POWER SUPPLY TO PANEL MUST BE SIZED TO COVER ALL PUMPS RUNNING AT THE SAME TIME
  - 2) LARGE STORAGE VESSELS, IF ORDERED, WILL BE SUPPLIED LOOSE FOR POSITIONING FOR CLIENT TO SUIT THE AVAILABLE FLOOR SPACE. CLIENT IS TO PROVIDE A CONNECTION FROM THE VESSEL TO THE DELIVERY PIPEWORK ADJACENT TO THE SET ISOLATING AND DRAIN VALVES SHOULD BE FITTED IN THIS CONNECTION
  - 3) 60L TANK WILL BE SUPPLIED LOOSE AND SHOULD BE ASSEMBLED ON SITE
  - 4) FLANGES ARE AVAILABLE BOTH IN 16 & 25 BAR VERSION
  - 5) FOR STANCHION SELECTION USE DRAWING NO. PK 14967

ITEM NO	DESCRIPTION	NO. OFF
1	BASE PLATE	1
2	BOLT - M12	20
3	WASHER - M12	20
4	CAGE NUT - M12	20
5	VMS PUMP	5
6	SUCTION/DISCHARGE MANIFOLD ASSY	2
7	ISOLATING VALVE 1 1/4"	10
8	NRV 1 1/4"	5
9	SUPPORT RIB	1
10	STANCHION	1
11	PRESSURE TRANSDUCER	1
12	PRESSURE GAUGE	1
13	FEMALE CROSS 1/2"	1
14	ISOLATING VALVE 1/2"	1
15	AIR VENT 1/4"	1
16	CONTROL PANEL	1
17	1/2" NIPPLE	3
18	1/2" x 1/4" REDUCING BUSH	3
19	BOLT - M10	9
20	WASHER - M10	9
21	NUT - M10	3
22	CAGE NUT - M10	6
23	1/2" T	1
24	END CAP	2

LAST MODIFICATION DETAILS		PROPRIETARY AND CONFIDENTIAL		UNLESS OTHERWISE SPECIFIED: DIMENSIONS ARE IN MM WELD SYMBOLS TO BS 499 SURFACE FINISH SHOWN IN UTM MACHINE WHERE SHOWN IN UTM TO TOLERANCE ± 0.3		NAME DATE PRAKASH 05/03/08		<b>ARMSTRONG</b>	
REV:	DATE:	DRN BY:	CHECKED BY:	APP. BY:	THIRD ANGLE PROJECTION	FILE NAME	MATERIAL BS 308	FINISH	TITLE: <b>6800 HMP SERIES 5PUMP SV04</b>
					DO NOT SCALE		SIZE DRG. NO. <b>A1 PX10739</b>		REV <b>B</b>
					DRAWING RELEASE LEVEL:		SCALE: 1:8 WEIGHT: KG		SHEET 1 OF 1