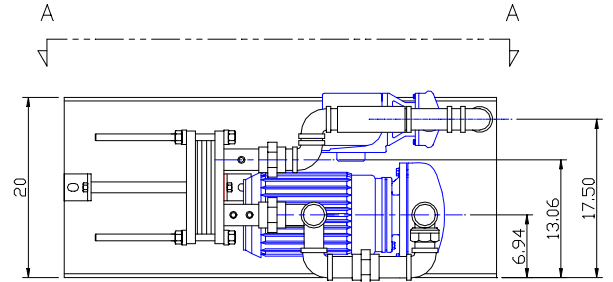


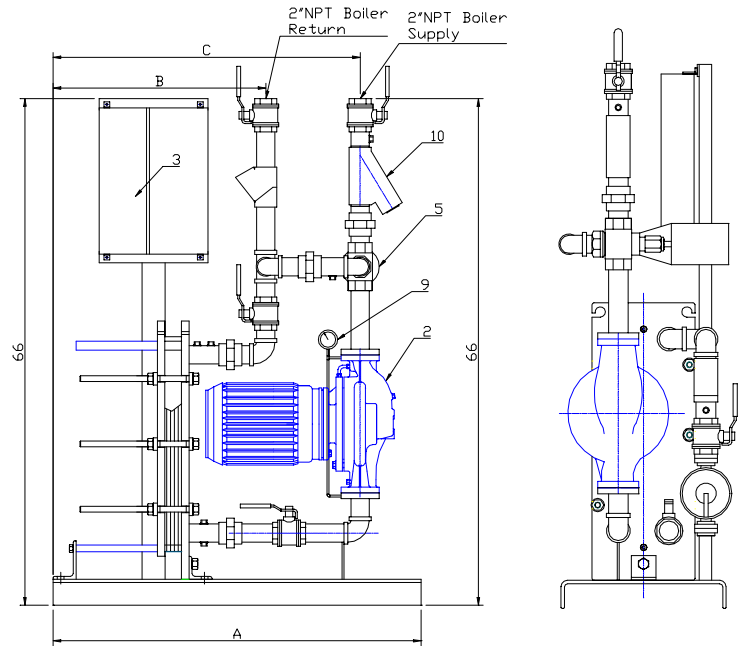
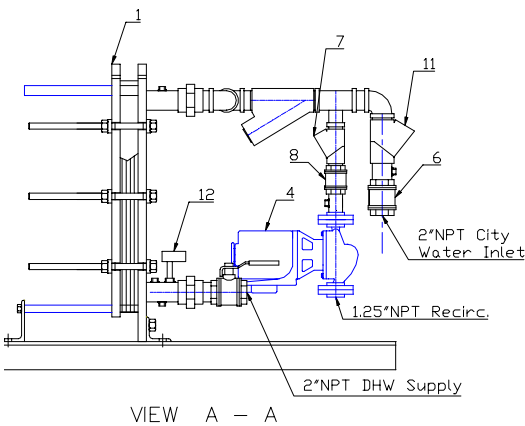
MODEL 040 - SUPER SYSTEM

SUBMITTAL

LEGEND			
ITEM	DESCRIPTION	MATERIAL	QTY
	Hot Water Boiler Piping 2"	Steel	
	Domestic Hot Water Piping 2"	Brass	
1	PFX Heat Exchanger SX 13-24	SST Plates	1
2	Pump 4380 2x2x8 / 3 HP	Bronze Fitted	1
3	Pump & Temperature Controller		1
4	Circulator H32/ 1/6Hp	All Bronze	1
5	3-Way Valve 2" w / Actuator	Brass	1
6	Ball Valve 2"	Brass	6
7	Swing Check Valve 1-1/4"	Brass	1
8	Ball Valve 1-1/4"	Brass	1
9	Pressure Gauge		1
10	Y-Strainer 2"	Cast Iron	2
11	Swing Check Valve 2"	Brass	2
12	Hi Limit Temperature Switch (Aquatstat)		1



DIMENSIONS (IN)			
PFX Exchanger Type	A	B	C
Single Wall	48	27.75	40
Double Wall	54	33.75	46



Items 2, 3, 5, 9 and 10 not shown.

S.A. Armstrong Limited
 23 Bertrand Avenue
 Toronto, Ontario
 Canada, M1L 2P3
 Tel: (416) 755-2291
 Fax: (416) 759-9101

Armstrong Pumps Limited
 Peartree Road, Stanway
 Colchester, Essex
 United Kingdom, C03 5JX
 Tel: 01206-579491
 Fax: 01206-760532



Armstrong Pumps Inc.
 93 East Avenue
 Buffalo, New York
 U.S.A. 14120-6594
 Tel: (716) 693-8813
 Fax: (716) 693-8970

Armstrong Darling Inc.
 2200 Place Transcanadienne
 Montreal, Quebec
 Canada, H9P 2X5
 Tel: (514) 421-2424
 Fax: (514) 421-2436

