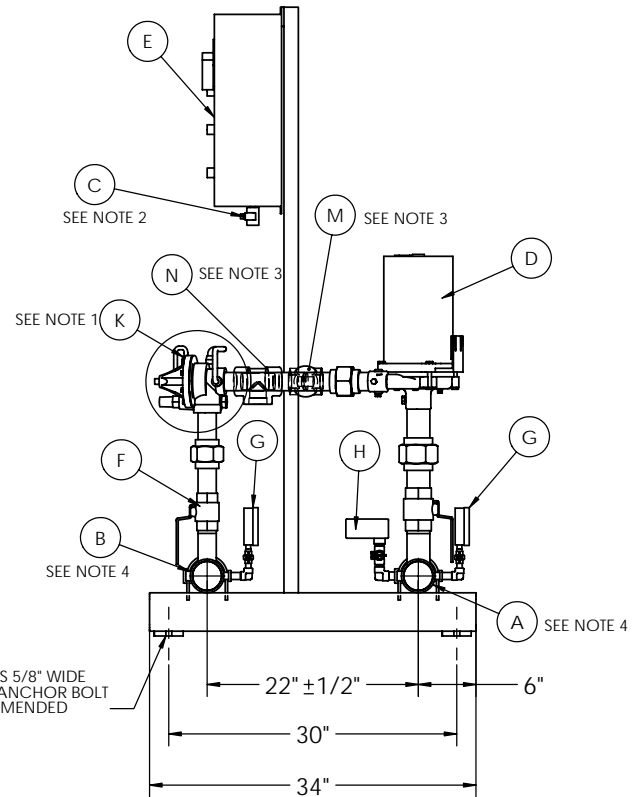


**INCLUDED**

PRV  CHECK VALVE



**NOTES**

- 1- Item 'K' (PRV) is standard. If item 'L' (check valve) is required please indicate selection
- 2- 'C' (1/4" NPT ) Provided on continuous run systems only. To be connected to drain by others.
- 3- 'M' & 'N' are provided on systems with adjacent mounted drawdown tanks.
- 4- Booster is supplied with standard roll groove for A & B headers suitable for victaulic type or equivalent flanges (supplied by others).  
If Armstrong is to supply flanges, please indicate flange pressure rating required.
- 5- Consult Drawing 2400-000 for Variable Speed Drive (VFD) controller dimensions.
- 6- Type L copper is suitable for 175 PSI., Type K copper is suitable for 300 PSI.

Maximum System Pressure:  175 PSI  300 PSI

	HEADER SIZE	X
<input type="checkbox"/>	3" IPS PIPE 304 S.S.	6-1/4"
<input type="checkbox"/>	4" IPS PIPE 304 S.S.	6-3/4"
<input type="checkbox"/>	6" IPS PIPE 304 S.S.	6-13/16"
<input type="checkbox"/>	3" TUBE (COPPER ASTM B-88) TYPE K	6-1/16"
<input type="checkbox"/>	4" TUBE (COPPER ASTM B-88) TYPE K	6-9/16"
<input type="checkbox"/>	6" TUBE (COPPER ASTM B-88) TYPE K	7-9/16"

A	SUCTION CONNECTION	H	AQUASTAT (TEMPERATURE PROBE)
B	DISCHARGE CONNECTION	J	RUBBER ISOLATING CUSHION
C	SOLENOID VALVE (1/4" NPT)	K	PRESSURE REDUCING VALVE (PRV)
D	PUMP & MOTOR	L	CHECK VALVE ONLY (OPTIONAL)
E	CONTROL PANEL	M	CHECK VALVE (SEE NOTE 3)
F	BRONZE BALL VALVE	N	TEE (SEE NOTE 3)
G	PRESSURE GAUGE		

**COMMENTS**

- Drawing 2404-001 is applicable for 4270 Pumps and up to 5 HP @ 3600 RPM.
- For other Inlet/Outlet orientations consult factory for new drawing.
- Dimensions are based on factory choice standard components.
- Tolerances are (+/-) 1/2" unless otherwise specified.
- All dimensions are in inches.

DO NOT SCALE

DRAWN BY	SP	DATE	11/17/03	<b>ARMSTRONG PUMPS INC.</b> NORTH TONAWANDA, NY 14120  DRAWING TITLE <b>6524 - DUPLEX          DOMESTIC WATER BOOSTER</b>
CHECK	GB	DATE	06/07/04	
ENGINEERING				
QUALITY ASSURANCE				
MANUFACTURING				SIZE <b>C</b>
		DRAWING NUMBER		REV.
		2404-001		<b>A</b>
SCALE: NTS		WEIGHT:		SHEET: 1 OF 1