



**CIRCUIT BALANCING VALVES
CBV-S SOLDER STYLE
CBV-T THREADED**

FILE NO.:	36.51
DATE:	June 30, 2000
SUPERSEDES:	36.51
DATE:	Nov. 25, 1992

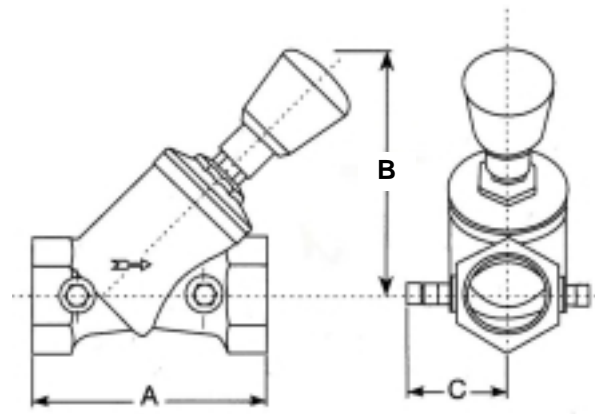
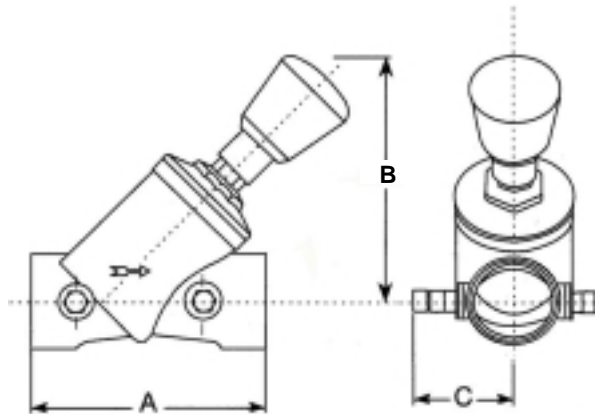
SUBMITTAL

JOB: _____	REPRESENTATIVE: _____
_____	ORDER NO: _____ DATE: _____
ENGINEER: _____	SUBMITTED BY: _____ DATE: _____
CONTRACTOR: _____	APPROVED BY: _____ DATE: _____

MODEL NUMBER	QTY REQ'D	IDENTIFICATION	MODEL NUMBER	QTY REQ'D	IDENTIFICATION

MODELS CBV-S (1/2" – 2" Solder Style)	
SPECIFICATIONS	
Connection	Solder Joint
Material of Construction	Bronze
Maximum Working Pressure	250 PSI
Maximum Operating Temp.	250 ° F
Threaded Drain Ports (2)	1/4" NPT – 1 on each side of seat
Handwheel	Reinforced Nylon 4 Turn

MODELS CBV-T (1/2" – 2" Threaded)	
SPECIFICATIONS	
Connection	Threaded NPT
Material of Construction	Bronze
Maximum Working Pressure	250 PSI
Maximum Operating Temp.	250 ° F
Threaded Drain Ports (2)	1/4" NPT – 1 on each side of seat
Handwheel	Reinforced Nylon 4 Turn



DIMENSIONS in inches and (mm)					
MODEL	PIPE SIZE	A	B	C	Wt.(lbs.)
CBV - 1/2S	1/2"	3 3/8 (86mm)	5 3/16 (132mm)	2 (51mm)	2 (.91kg)
CBV - 3/4S	3/4"	3 3/8 (98mm)	5 3/16 (132mm)	2 (51mm)	2 (.91kg)
CBV - 1S	1"	4 5/8 (117mm)	5 1/2 (140mm)	5 1/16 (52mm)	3 (1.4kg)
CBV - 1 1/4S	1 1/4"	5 (127mm)	6 (152mm)	2 1/4 (57mm)	4 (1.8kg)
CBV - 1 1/2S	1 1/2"	6 1/8 (156mm)	4 1/16 (164mm)	2 3/8 (60mm)	4 1/2 (2kg)
CBV - 2S	2"	7 1/4 (184mm)	6 3/4 (171mm)	2 5/8 (67mm)	5 1/2 (2.5kg)

DIMENSIONS in inches and (mm)					
MODEL	PIPE SIZE	A	B	C	Wt.(lbs.)
CBV - 1/2T	1/2"	3 3/16 (79mm)	5 3/16 (132mm)	2 (51mm)	2 (.91kg)
CBV - 3/4T	3/4"	3 3/16 (79mm)	5 3/16 (132mm)	2 (51mm)	2 (.91kg)
CBV - 1T	1"	9 3/4 (95mm)	5 1/2 (140mm)	2 1/16 (52mm)	3 (1.4kg)
CBV - 1 1/4T	1 1/4"	4 3/8 (111mm)	6 (152mm)	2 1/4 (57mm)	4 (1.8kg)
CBV - 1 1/2T	1 1/2"	5 5/8 (130mm)	6 7/16 (164mm)	2 3/8 (60mm)	4 1/2 (2kg)
CBV - 2T	2"	6 1/4 (159mm)	6 3/4 (171mm)	2 5/8 (67mm)	5 1/2 (2.5kg)



**CIRCUIT BALANCING VALVES
CBV-S SOLDER STYLE
CBV-T THREADED**

SUBMITTAL

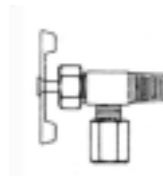
JOB: _____	REPRESENTATIVE: _____
_____	ORDER NO: _____ DATE: _____
ENGINEER: _____	SUBMITTED BY: _____ DATE: _____
CONTRACTOR: _____	APPROVED BY: _____ DATE: _____

NOTES:

1. Solder style models are supplied unassembled. Valve body must be soldered in the line before assembly.
2. Refer to Cv Curves for sizing and balancing, giving pressure drop at different settings and flow rates.
3. Suggested meters for use in conjunction with Armstrong CBV's are CompuFlo, CBDM-135/60 and CBDM 200.
4. All valves furnished with probe metering ports.

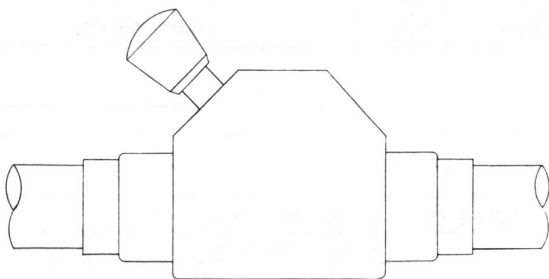
DRAIN VALVE (Optional)

Needle Valve – Brass with compression connection for permanent piping to floor drain if desired.



CBV to 3/8" Compression

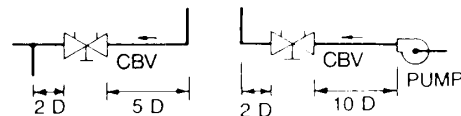
INSULATION (Optional)



- If checked, CBV Valve performed insulation to be provided to meet code requirements of flame spread rating of 25 or less and a smoke development rating of 50 or less according to ASTM-E-84.

INSTALLATION

Generally locate the valve five diameters downstream from a fitting; with two diameters downstream from the balancing valve free from fittings. If a balancing valve is located downstream from a circulation pump, allow a distance of 10 diameters between the pump and balancing valves (as illustrated).



S.A. Armstrong Limited
23 Bertrand Avenue
Toronto, Ontario
Canada, M1L 2P3
Tel: (416) 755-2291
Fax: (416) 759-9101

Armstrong Pumps Limited
Peartree Road, Stanway
Colchester, Essex
United Kingdom, C03 5JX
Tel: 01206-579491
Fax: 01206-760532



Armstrong Pumps Inc.
93 East Avenue
Buffalo, New York
U.S.A. 14120-6594
Tel: (716) 693-8813
Fax: (716) 693-8970

Armstrong Darling Inc.
2200 Place Transcanadienne
Montreal, Quebec
Canada, H9P 2X5
Tel: (514) 421-2424
Fax: (514) 421-2436

Visit us at www.armstrongpumps.com

© S.A. Armstrong Limited 1999

