

## HYDRONIC SPECIALTIES TMA TANK FITTINGS TDV AIR CHARGER & TANK DRAINER

## SUBMITTAL

JOB: _____	REPRESENTATIVE: _____
_____	_____
_____	_____
ENGINEER: _____	ORDER NO: _____ DATE: _____
CONTRACTOR: _____	SUBMITTED BY: _____ DATE: _____
	APPROVED BY: _____ DATE: _____

TMA TANK FITTING		
MODEL NO.	QTY.	IDENTIFICATION

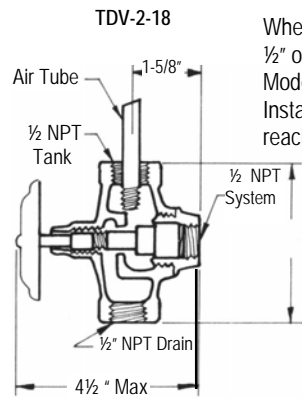
TDV AIR CHARGER & TANK DRAINER		
MODEL NO.	QTY.	IDENTIFICATION

SPECIFICATIONS	
Maximum Working Pressure	125 PSIG
Maximum Operating Temperature	300° F
Materials of Construction	
body	Cast Iron
tubes	Brass

SPECIFICATIONS	
Maximum Working Pressure	125 PSIG
Maximum Operating Temp.	300° F
Materials of Construction	
body	Cast Bronze
seat	Brass/BUNA-N
Weight	
TDV-2	2½ lbs.
TDV-2-18	3 LBS.

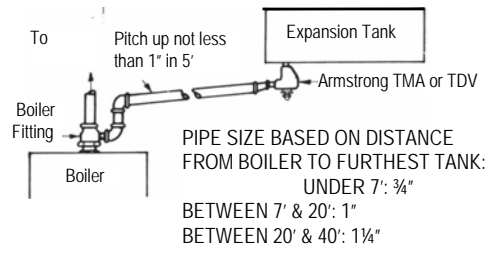
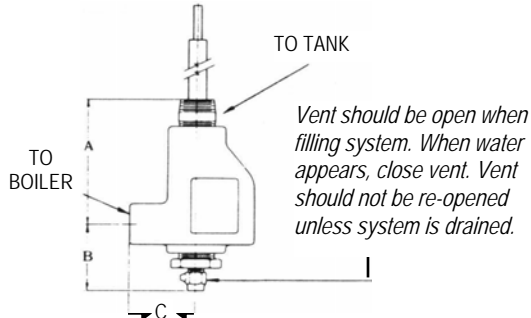
DIMENSIONAL DATA							
Model No.	Tank DIA	Connections		A	B	C	Wt. (lbs.)
		Tank	Boiler				
TMA-24	9"	1/2NPT	3/4NPT	3½"	2"	1-5/8"	3
	12"						
	14"						
	16"						
	18"						
TMAL	20"	1NPT	1¼NPT	4½"	2¾"	2"	7
	24"						

\* May be used for smaller dia. tanks. Cut tubing on installation to length equal to 2/3 diameter of tank.



When installing, cut air tube to reach within ½" of top of tank.  
Model TDV-2 supplied less air tube. Installer to supply 1/8" air tube as required, reaching within ½" of top of tank.

**Operating Instructions:**  
To drain the compression tank, close the valve which cuts tank off from system and opens the drain port. The tank will drain immediately, with air entering to again provide an air cushion.



**S. A. Armstrong Limited**  
23 Bertrand Avenue  
Toronto, Ontario  
Canada, M1L 2P3  
T: (416) 755-2291  
F (Main): (416) 759-9101

**Armstrong Pumps Inc.**  
93 East Avenue  
North Tonawanda, New York  
U.S.A. 14120-6594  
T: (716) 693-8813  
F: (716) 693-8970

**Armstrong Holden Brooke Pullen**  
Wenlock Way  
Manchester  
United Kingdom, M12 5JL  
T: +44 (0) 161 223 2223  
F: +44 (0) 161 220 9660

