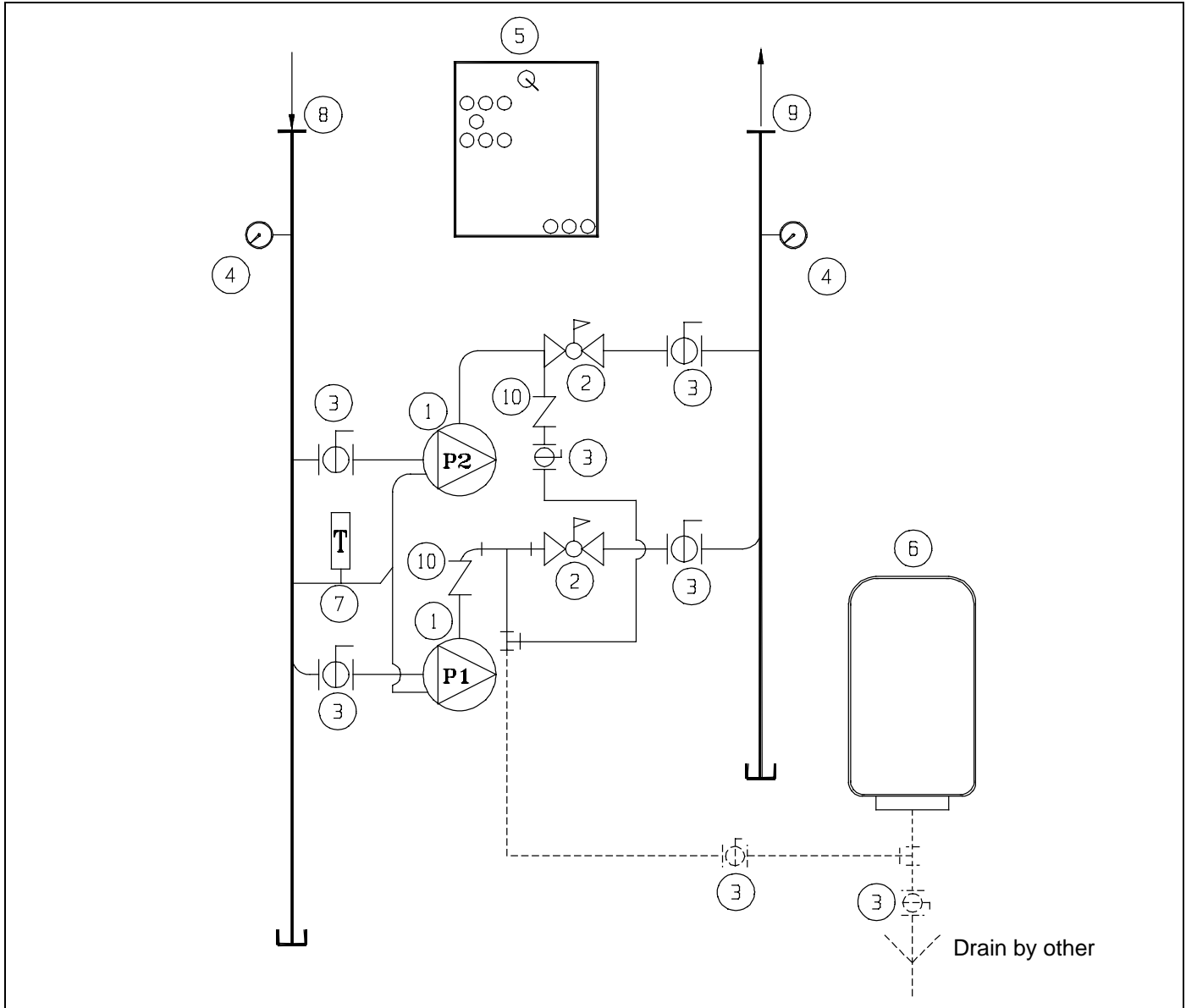


Duplex Booster Piping Schematic Equal Pump Sizes



ADJACENT or SKID MOUNTED TANK PIPED to P1 and P2

1. LEAD PUMP AND MOTOR	6. HYDRO-PNEUMATIC TANK	
2. PILOT OPERATED PRV & CHECK VALVE	7. AQUASTAT	
3. ISOLATION VALVES	8. SUCTION MANIFOLD	
4. PRESSURE GAUGES	9. DISCHARGE MANIFOLD	
5. CONTROL PANEL	10. CHECK VALVE	

Note: Dashed items are supplied on skid mounted systems only. Drain not supplied.

S. A. Armstrong Limited
23 Bertrand Avenue
Toronto, Ontario
Canada, M1L 2P3
T: (416) 755-2291
F (Main): (416) 759-9101

Armstrong Pumps Inc.
93 East Avenue
North Tonawanda, New York
U.S.A. 14120-6594
T: (716) 693-8813
F: (716) 693-8970

Armstrong Holden Brooke Pullen
Wenlock Way
Manchester
United Kingdom, M12 5JL
T: +44 (0) 1612 232223
F: +44 (0) 1612 209660

