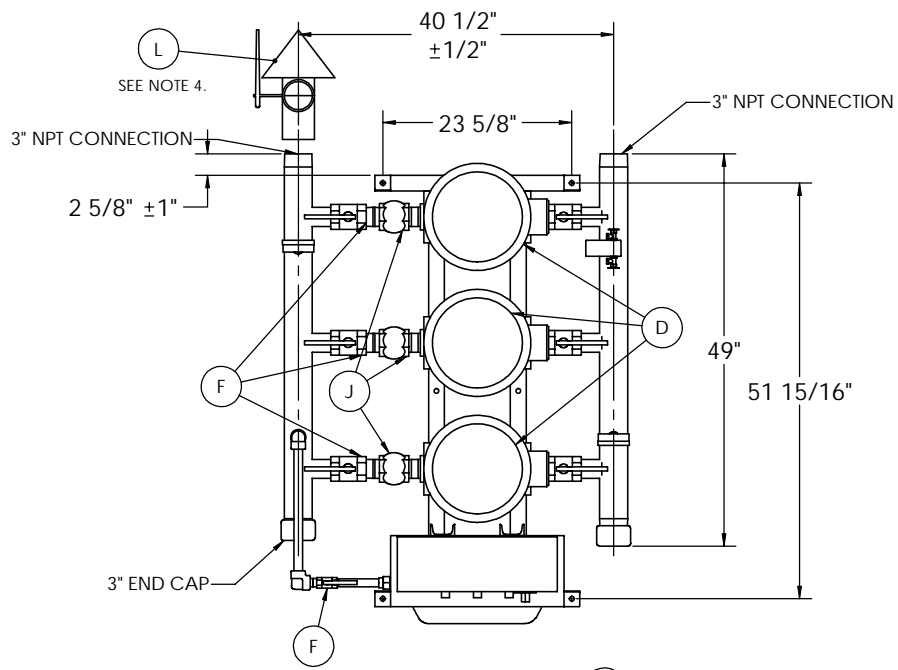


D

C

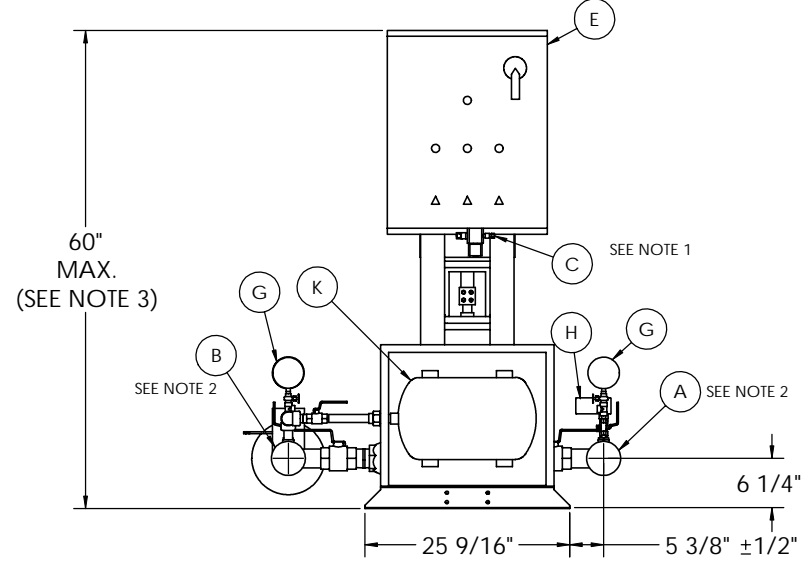
B

A



- NOTES**
- 1- 'C' (1/4" NPT) Provided on continuous run systems only. To be connected to drain by others.
 - 2- Booster is supplied with standard NPT threads for A & B header Flanges (supplied by others).
 - 3- Consult drawing 2400-000 for Variable Speed Drive (VFD) controller dimensions.
 - 4- PRV (Globed or Angle) to be supplied loose. (Optional) Must be installed onsite.

- COMMENTS**
- Drawing 6830-020 is applicable for VMS 10/18 pump up to 25 HP @ 3600 RPM. For other sizes consult factory for new drawing.
 - Dimensions are based on factory choice standard components. For other than standard consult factory for new drawing.
 - Tolerances are (+/-) 1/2" unless otherwise specified.
 - All dimensions are in inches.



A	SUCTION CONNECTION	F	BRONZE BALL VALVE
B	DISCHARGE CONNECTION	G	PRESSURE GAUGE
C	SOLENOID VALVE (1/4" NPT)	H	AQUASTAT (TEMPERATURE PROBE)
D	PUMP & MOTOR	J	CHECK VALVE ONLY
E	CONTROL PANEL	K	DRAWDOWN TANK
		L	PRV (OPTIONAL)

DO NOT SCALE

DRAWN BY	SP	DATE	12/13/03	<p>ARMSTRONG ARMSTRONG PUMPS INC. NORTH TONAWANDA, NY 14120</p>
CHECK	GB	DATE	06/07/04	
ENGINEERING				
QUALITY ASSURANCE				
DRAWING TITLE				6833 / 34 DOMESTIC WATER BOOSTER
MANUFACTURING				
SIZE	C	DRAWING NUMBER	6830-020	REV.
SCALE:		WEIGHT:		SHEET:
				C

4

3

2

1