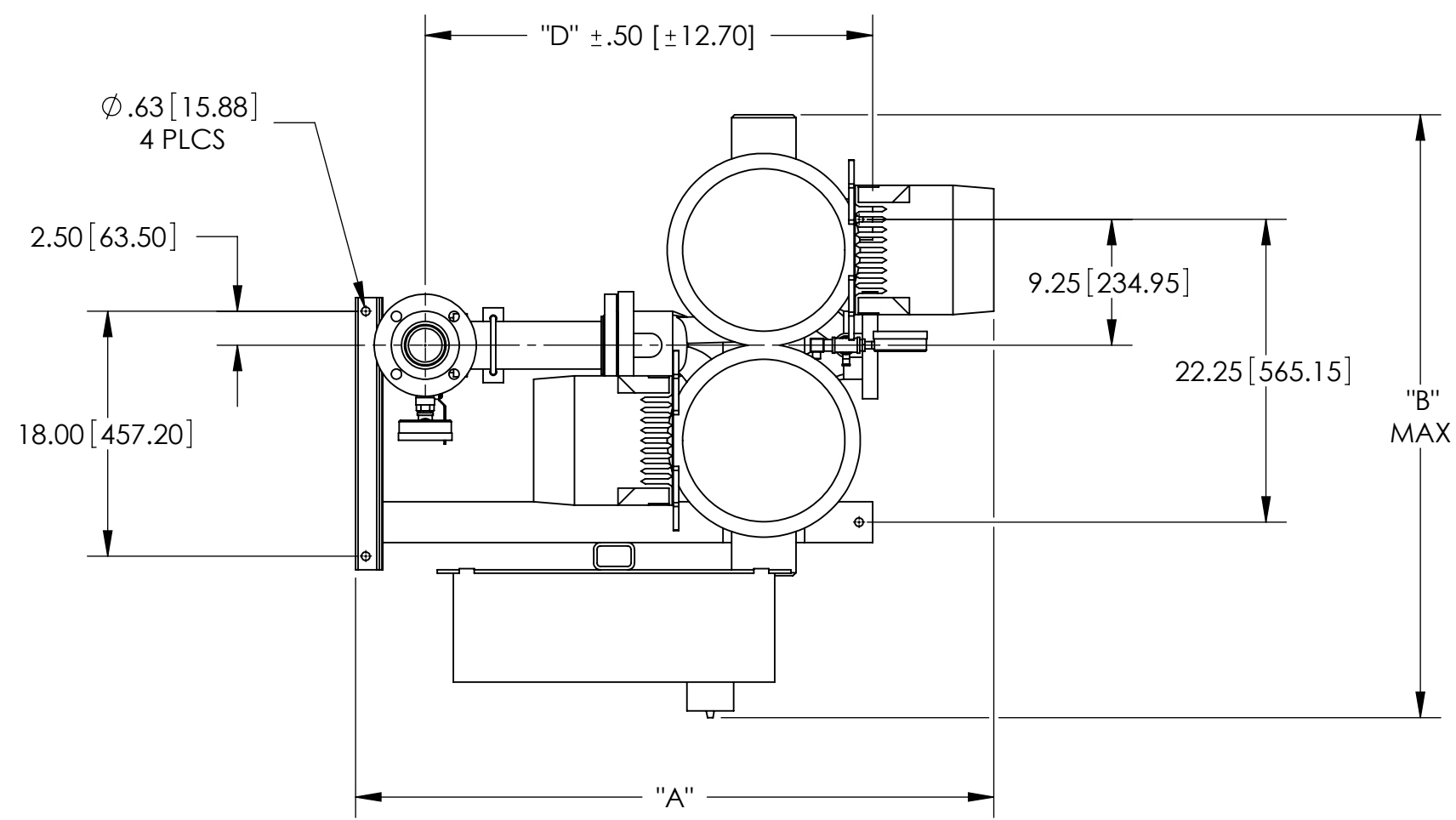


REVISIONS				
ZONE	REV.	DESCRIPTION	DATE	APPROVED
	A	ORIGINAL RELEASE, SEE E.O. 103786#	10/18/10	



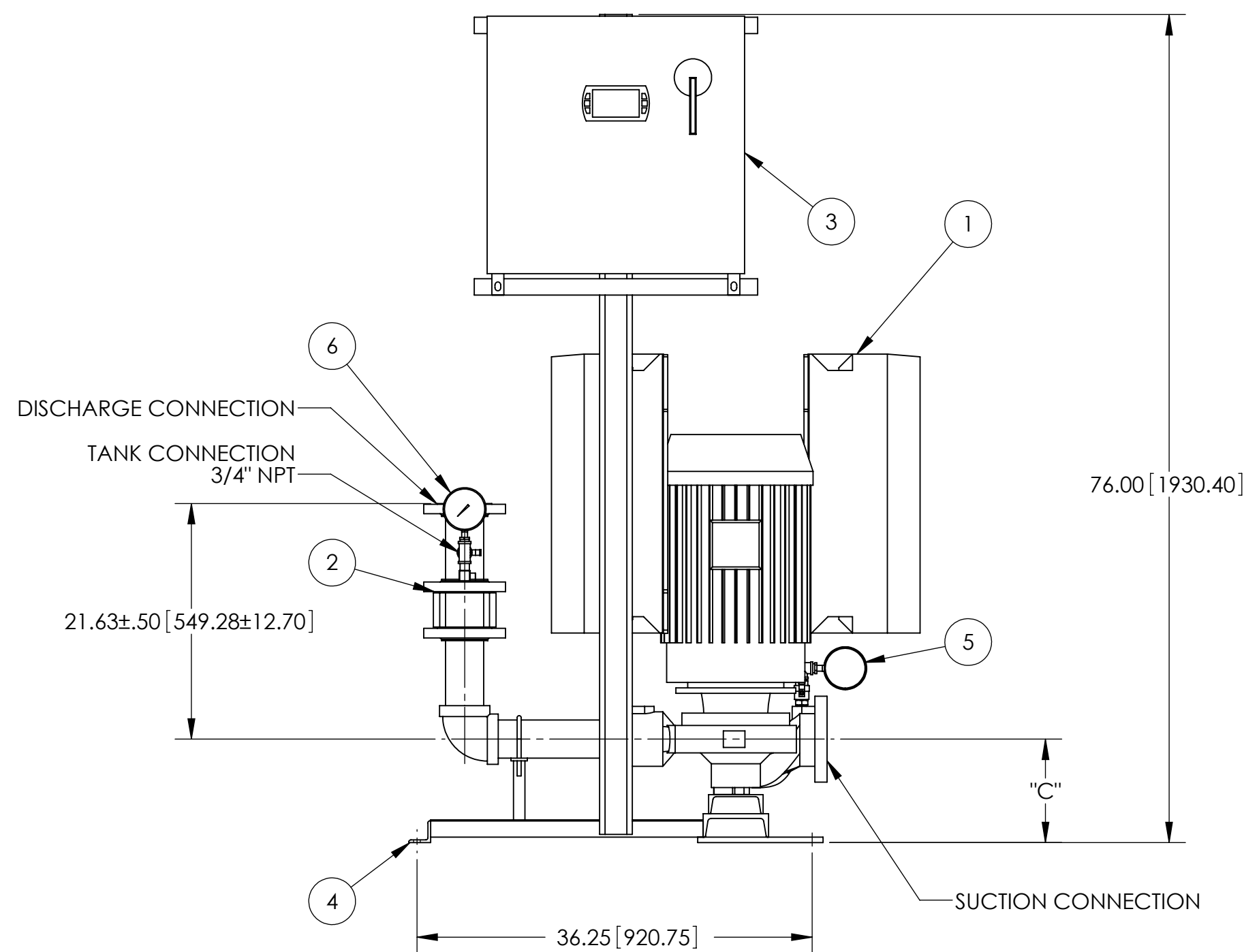
**NOTES:**

- 1 - Dimensions are based on factory choice standard components. For other than standard consult factory, as a new drawing may be required.
- 2 - All dimensions are in inches [mm].
- 3 - Tolerances are +/- 1/4" [6.35] unless otherwise specified.
- 4 - Drawings are for layout purposes only.

Maximum System Pressure:  175 PSI  250 PSI

**INLET ORIENTATION**

- RIGHT HAND - STD. AS SHOWN  
(CONSULT DRAWING #2546-000 FOR LEFT HAND ORIENTATION.)



DIMENSIONS				
DUALPAK	A	B	C	D
6901-3x3x6	45.91 [1166.02]	41.48 [1053.72]	9.25 [234.95]	32.88 [822.45]
6902-3x3x8	46.91 [1191.42]	44.30 [1125.16]	9.50 [241.30]	32.88 [835.03]
6903-3x3x6	45.91 [1166.02]	41.48 [1053.72]	9.25 [234.95]	32.88 [822.45]
6904-3x3x8	46.91 [1191.42]	44.30 [1125.16]	9.50 [241.30]	32.88 [835.03]

<b>1</b>	<b>DUALARM PUMP, MOTOR, AND DRIVE</b>	<b>4</b>	<b>BASE &amp; PANEL SUPPORT</b>
<b>2</b>	<b>CHECK VALVE</b>	<b>5</b>	<b>SUCTION PRESSURE GAUGE</b>
<b>3</b>	<b>DUAL PUMP CONTROLLER</b>	<b>6</b>	<b>DISCHARGE PRESSURE GAUGE</b>

**DO NOT SCALE**

**PROPRIETARY AND CONFIDENTIAL**  
THE INFORMATION CONTAINED IN THIS DRAWING IS THE SOLE PROPERTY OF S.A. ARMSTRONG. ANY REPRODUCTION IN PART OR AS A WHOLE WITHOUT THE WRITTEN PERMISSION OF S.A. ARMSTRONG IS PROHIBITED.



UNLESS OTHERWISE SPECIFIED:		NAME	DATE
DIMENSIONS ARE IN INCHES WEIGHT IN POUNDS	DRAWN	JMC	5/13/10
TOLERANCES: FRACTIONAL ±1/4 ANGULAR: MACH ±0.5° BEND ±0.5° TWO PLACE DECIMAL ±0.25 THREE PLACE DECIMAL ±0.020	CHECKED	PR	10/18/10
DIMENSIONING AND TOLERANCING PER: <b>ASME Y14.5-1994</b>	Q.A.	JM	10/18/10
MATERIAL	MFG APPR.	KB	10/18/10
FINISH	ENG APPR.	JC	10/18/10
APPLICATION	COMMENTS:		
DESIGN AUTHORITY: S.A. ARMSTRONG	<b>DO NOT SCALE</b>		



**TITLE:**  
**6901/2/3/4IVS DUALPAK  
RIGHT HAND DWB**

SIZE	DWG. NO.	REV
<b>C</b>	<b>2546-100</b>	<b>A</b>
SCALE: 1:12	WEIGHT:	SHEET 1 OF 1