

BFP Dual Check Backflow Preventer

SUBMITTAL

JOB: _____	REPRESENTATIVE: _____
ENGINEER: _____	ORDER NO: _____ DATE: _____
CONTRACTOR: _____	SUBMITTED BY: _____ DATE: _____
	APPROVED BY: _____ DATE: _____

Quantity	TAG No.	Model No.	Comments

BFP DUAL CHECK BACKFLOW PREVENTER with ATMOSPHERIC VENT APPLICATIONS



Protecting water lines has become increasingly important in modern engineering, as communities become more sensitive to the problems of safeguarding potable water. Delivering untainted water for safe and efficient consumption is the desired goal. In order to protect the lines on potable water systems, it is necessary to install valves that prevent the return of polluted water.



Armstrong BFP Backflow Preventers are specifically designed to protect against siphonage or back pressure of non-potable (non-hazardous) substances, thus preventing the flow of polluted water back into the safe drinking water supply. The BFP series valves include two spring-loaded check valves that act independently for positive protection, and also have an intermediate atmospheric vent that ensures a safeguard against backflow conditions.

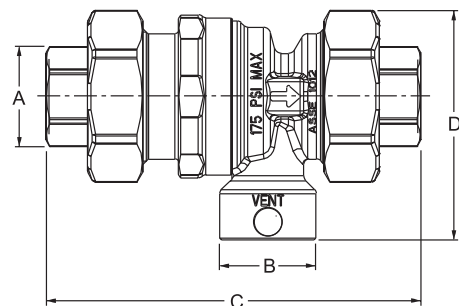
The BFP backflow preventers are suitable for use under continuous pressure for either hot or cold water service. Typical applications include residential and commercial installations on boiler feed lines to prevent backflow from the heating system to the potable water supply lines when supply pressure falls below heating system pressure. In addition they can be installed on laboratory equipment, processing tanks, and other installations that contain polluted water.

TECHNICAL DATA	
Maximum Working Pressure	175 psi (1207 kPa)
Operating Temperature Range	39°F - 210°F (4°C - 99°C)
Emergency Back Pressure Temperature	250°F (121°C)
Flow Co-efficient	1/2" C _v = 2.0 3/4" C _v = 3.0

MATERIALS OF CONSTRUCTION	
Body	Brass
Filter	Stainless Steel
Seat Discs	EPDM
Springs	Stainless Steel

DIMENSIONS and WEIGHTS					
Model	A	B	C	D	Weight
BFP-050T	1/2" NPT	1/2 (12.7)	4-1/8 (104.8)	2-1/2 (63.5)	1.2 (0.54)
BFP-075T	3/4" NPT	1/2 (12.7)	4-1/8 (104.8)	2-1/2 (63.5)	1.2 (0.54)
BFP-050S	1/2" Sweat	1/2 (12.7)	4-1/8 (104.8)	2-1/2 (63.5)	1.2 (0.54)
BFP-075S	3/4" Sweat	1/2 (12.7)	4-13/16 (122.2)	2-1/2 (63.5)	1.2 (0.54)

Note: All dimensions are in inches (mm) and weights are in lbs. (kg)



Armstrong Pumps Inc.
93 East Avenue
North Tonawanda, New York
U.S.A. 14120-6594
Tel: (716) 693-8813
Fax: (716) 693-8970

S.A. Armstrong Limited
23 Bertrand Avenue
Toronto, Ontario
Canada, M1L 2P3
Tel: (416) 755-2291
Fax: (416) 759-9101



Armstrong Pumps Limited
Peartree Road, Stanway
Colchester, Essex
United Kingdom, CO3 0LP
Tel: +44 (0) 1206 579491
Fax: +44 (0) 1206 760532

Armstrong Darling
9001 De L'Innovation, Suite 200
Montreal (Anjou), Quebec
Canada, H1J 2X9
Tel: (514) 352-2424
Fax: (514) 352-2425

