

PRESSURE REDUCING & CHECK VALVE

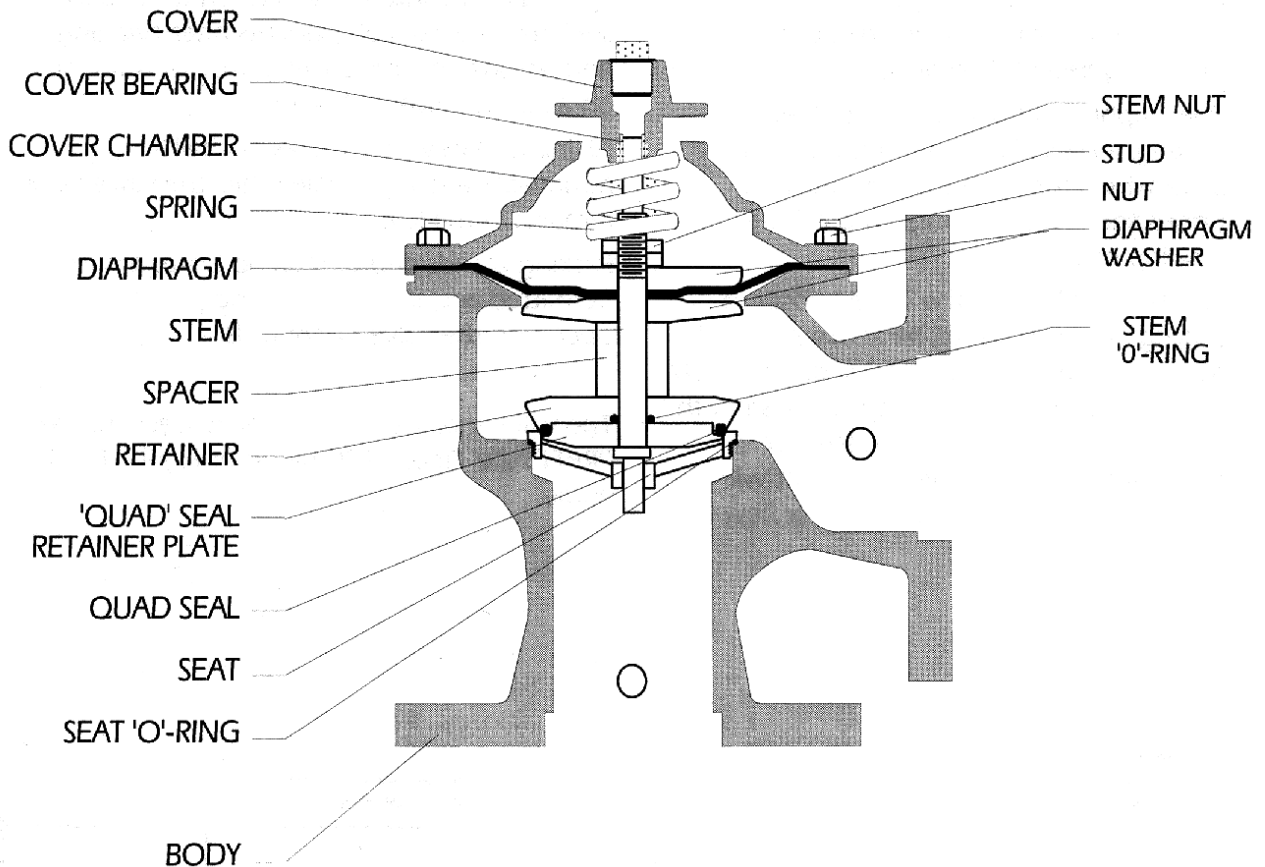
Description

The pressure Reducing and Check Valve provides desired consistent downstream pressure regardless of a changing flow rate or varying inlet pressure, and prevents return flow when pressure reverses.

This valve is hydraulically operated, single seated and controlled by a direct acting spring loaded, diaphragm pilot valve and auxiliary check valves. The pilot valve is extremely sensitive to changing downstream pressures and reacts to modulate the main valve to hold the downstream pressure accurately at the set point. If the pressure reverses, the valve closes tight.

Setting the pressure to be maintained downstream is easily performed through the single adjusting screw cage of the pilot valve.

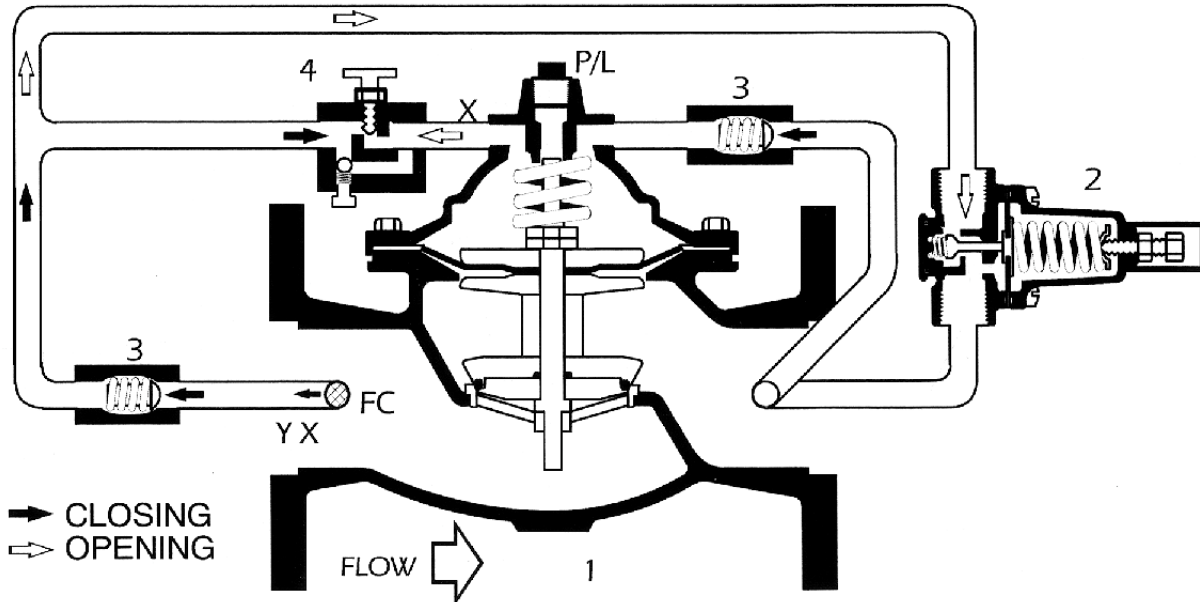
- ☑ Hydraulically operated diaphragm actuated, automatic control valve.
- ☑ Stem assembly is top and bottom guided.
- ☑ Quad ring seal/non edged seat.
- ☑ Can be serviced without removal from pipeline.



ARMSTRONG

Valve Function

- ☑ Reduce higher inlet pressure to constant lower outlet pressure (adjustable)
- ☑ Close when outlet/downstream pressure exceeds inlet/upstream pressure



Max. Working Pressures	125# FLANGE-200 PSIG	250# FLANGE-300 PSIG
	150# FLANGE-250 PSIG	300# FLANGE-500 PSIG Threaded 400 PSIG

Components
1-Main Valve
2-Reducing Control
3-Check Valve
4-Needle Valve-Adj. Restriction-Closing

Standard Materials Of Construction	
Body & Cover:	FDA approved fused epoxy cast iron ASTM A126 Class B
Seat:	1 1/4"-8" Stainless Steel AISI 316 10"-24" Brass ASTM B584
Stem:	Stainless Steel AISI 303
Spring:	Stainless Steel AISI 302
Diaphragm:	Nylon Reinforced (BUNA-N)
Seal:	Quad Seal (BUNA-N)

S.A. Armstrong Limited
 23 Bertrand Avenue
 Toronto, Ontario
 Canada, M1L 2P3
 Tel: (416) 755-2291
 Fax: (416) 755-9101

Armstrong Pumps Limited
 Peartree Road, Stanway
 Colchester, Essex
 United Kingdom, C03 5JX
 Tel: 01206-579491
 Fax: 01206-760532



Armstrong Pumps Inc.
 93 East Avenue
 Buffalo, New York
 U.S.A. 14120-6594
 Tel: (716) 693-8813
 Fax: (716) 693-8970
 1-800-FLOW-845

Armstrong Darling Inc.
 2200 Place Transcanadienne
 Montreal, Quebec
 Canada, H9P 2X5
 Tel: (514) 421-2424
 Fax: (514) 421-2436