

## SERIES 4030 | END SUCTION BASE MOUNTED SPLIT COUPLED | 3 × 1.5 × 13 | SUBMITTAL

File No: 40.72  
Date: NOV. 26, 2014  
Supersedes: 40.72  
Date: OCT. 15, 2013

Job: \_\_\_\_\_ Representative: \_\_\_\_\_

Order no.: \_\_\_\_\_ Date: \_\_\_\_\_

Engineer: \_\_\_\_\_ Submitted by: \_\_\_\_\_ Date: \_\_\_\_\_

Contractor: \_\_\_\_\_ Approved by: \_\_\_\_\_ Date: \_\_\_\_\_

### PUMP DESIGN DATA

No. of pumps: \_\_\_\_\_ Tag: \_\_\_\_\_  
Capacity: \_\_\_\_\_ USgpm (L/s) Head: \_\_\_\_\_ ft (m)  
Liquid: \_\_\_\_\_ Viscosity: \_\_\_\_\_  
Temperature: \_\_\_\_\_ °F (°C) Specific gravity: \_\_\_\_\_  
Suction: 3"(75mm) Lugged  
Discharge: 1.5"(38mm) Tapped

### MATERIALS OF CONSTRUCTION

ANSI FLANGE RATING	ANSI 125	ANSI 250
Construction	<input type="checkbox"/> BF	<input type="checkbox"/> DBF
Casing	Cast iron	Ductile iron

**Impeller:** Bronze  
**Gasket:** Confined non-asbestos fiber  
**Bearing frame:** Cast iron  
**Anti-friction bearings:** Permanently lubricated  
**Shaft:** Carbon steel  
**Shaft sleeve:** Stainless steel  
**Coupler:** Constant speed: Woods sure-flex or equal  
Variable speed: Woods dura-flex or equal  
**Coupler guard:** Steel OSHA  
**Baseplate:** Fabricated steel

### MECHANICAL SEAL DATA

**Seal type:** 2A      **Stationary seat:** Silicone carbide  
**Secondary seal:** EPDM      **Rotating hardware:** Stainless steel  
**Spring:** Stainless steel

### MOTOR DESIGN DATA

HP: \_\_\_\_\_ RPM: \_\_\_\_\_ Frame size: \_\_\_\_\_ Enclosure: \_\_\_\_\_  
Volts: \_\_\_\_\_ Hertz: 60 Hz      Phase: 3  
Efficiency\*:  NEMA premium 12.12       Other \_\_\_\_\_ %

\* Fractional power and frame 56 motors are supplied with the standard efficiency of the manufacturer.

### MAXIMUM PUMP OPERATING CONDITIONS

#### ANSI 125

175 psig at 150°F (12 bars at 65°C)  
140 psig at 250°F (10 bars at 121°C)

#### ANSI 250

300 psig at 150°F (20 bars at 65°C)  
250 psig at 250°F (17 bars at 121°C)

- Tolerance of ±0.125" (±3 mm) should be used
- See performance curves on page 3
- For exact installation, data please write factory for certified dimensions
- Pump equipped with casing drain plug and ¼" NPT suction and discharge gauge ports

### OPTIONAL EQUIPMENT

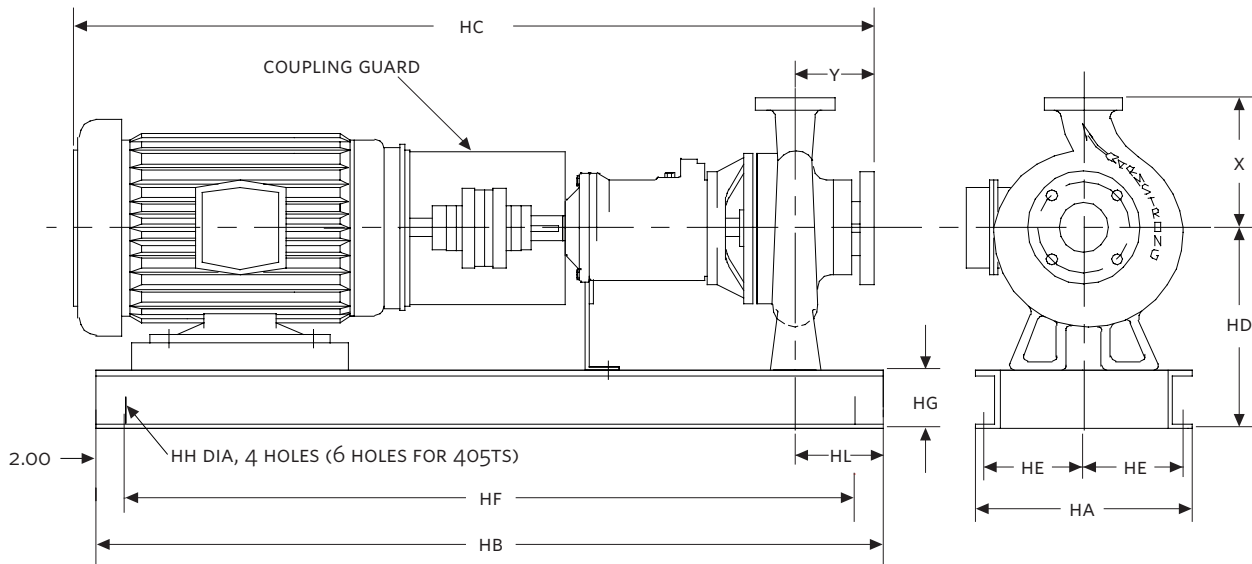
FLUID TYPE	ALL GLYCOLS > 30% WT CONC		ALL OTHER NON-POTABLE FLUIDS		POTABLE (DRINKING) WATER	
	up to 200°F (93°C)	over 200°F (93°C)	up to 200°F (93°C)	over 200°F (93°C)	up to 200°F (93°C)	over 200°F (93°C)
Rotating face	Silicone carbide		Resin bonded carbon	Antimony loaded carbon	Resin bonded carbon	
Seat elastomer	EPDM (L-cup)	EPDM (O-ring)	EPDM (L-cup)	EPDM (O-ring)	EPDM (L-cup)	EPDM (O-ring)
Material code	SCSc L EPSS 2A	SCSc O EPSS 2A	C-Sc L EPSS 2A	ACSc O EPSS 2A	C-Sc L EPSS 2A	C-Sc O EPSS 2A

MOTOR	HORSEPOWER @ RPM		MAX. DIMENSIONS INCHES (mm)												MAX. ASSEMBLY WEIGHT*		
	3600 ODP	1800 TEFC	1800	1200	HA	HB	HC	HD	HE	HF**	HG	HH	HL	X	Y	ODP	TEFC
213TC	—	—	7.5	3	16.00 (406)	45.00 (1143)	37.55 (954)	13.00 (330)	7.38 (187)	41.00 (1041)	3.00 (76)	0.75 (19)	4.50 (114)	10.50 (267)	4.00 (102)	350 (158.8)	517 (234.5)
215TC	—	—	10	5	16.00 (406)	45.00 (1143)	37.55 (954)	13.00 (330)	7.38 (187)	41.00 (1041)	3.00 (76)	0.75 (19)	4.50 (114)	10.50 (267)	4.00 (102)	365 (165.6)	551 (249.9)
254TC	—	—	15	—	16.00 (406)	45.00 (1143)	43.51 (1105)	13.00 (330)	7.38 (187)	41.00 (1041)	3.00 (76)	0.75 (19)	4.50 (114)	10.50 (267)	4.00 (102)	492 (223.2)	716 (324.8)
256TC	—	—	20	—	16.00 (406)	45.00 (1143)	43.51 (1105)	13.00 (330)	7.38 (187)	41.00 (1041)	3.00 (76)	0.75 (19)	4.50 (114)	10.50 (267)	4.00 (102)	535 (242.7)	760 (344.7)
286TSC†	40	—	—	—	19.00 (483)	48.00 (1219)	45.01 (1143)	14.00 (356)	8.88 (225)	44.00 (1118)	4.00 (102)	0.75 (19)	4.50 (114)	10.50 (267)	4.00 (102)	692 (313.9)	663 (300.7)
324TSC†	50	40	—	—	19.00 (483)	48.00 (1219)	47.92 (1217)	14.00 (356)	8.88 (225)	44.00 (1118)	4.00 (102)	0.75 (19)	4.50 (114)	10.50 (267)	4.00 (102)	795 (360.6)	875 (396.9)
326TSC†	60	50	—	—	19.00 (483)	48.00 (1219)	47.92 (1217)	14.00 (356)	8.88 (225)	44.00 (1118)	4.00 (102)	0.75 (19)	4.50 (114)	10.50 (267)	4.00 (102)	869 (394.2)	1113 (504.8)
364TSC†	75	60	—	—	19.00 (483)	48.00 (1219)	49.51 (1258)	15.50 (394)	8.88 (225)	44.00 (1118)	4.00 (102)	0.75 (19)	4.50 (114)	10.50 (267)	4.00 (102)	1040 (471.7)	1173 (532.1)
365TSC†	100	75	—	—	19.00 (483)	48.00 (1219)	49.51 (1258)	15.50 (394)	8.88 (225)	44.00 (1118)	4.00 (102)	0.75 (19)	4.50 (114)	10.50 (267)	4.00 (102)	1144 (518.9)	1282 (581.5)
405TSC**†	—	100	—	—	19.00 (483)	58.00 (1473)	53.49 (1359)	15.50 (394)	8.88 (225)	27.00 (686)	4.00 (102)	0.75 (19)	4.50 (114)	10.50 (267)	4.00 (102)	—	1432 (649.5)

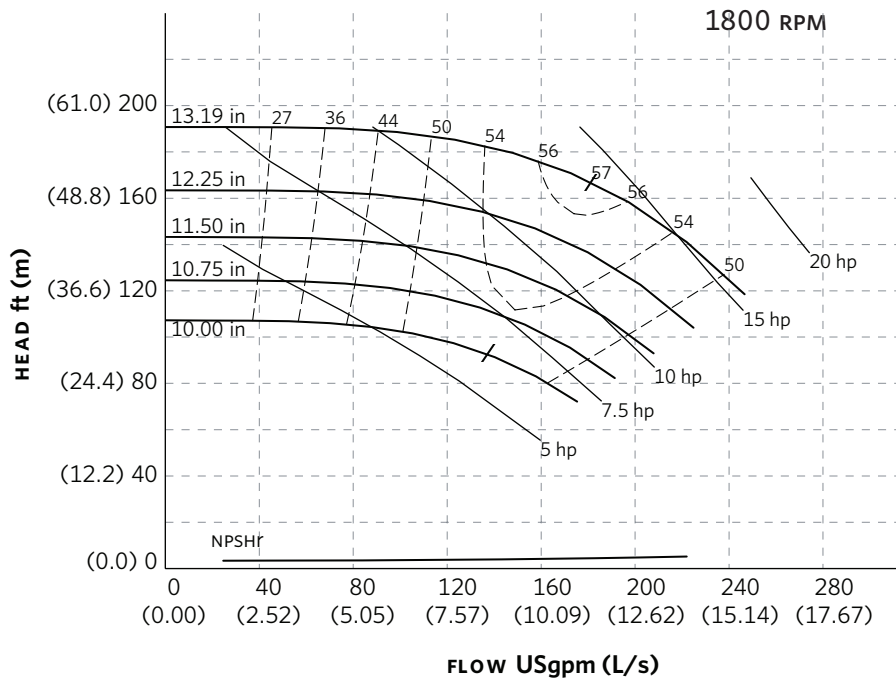
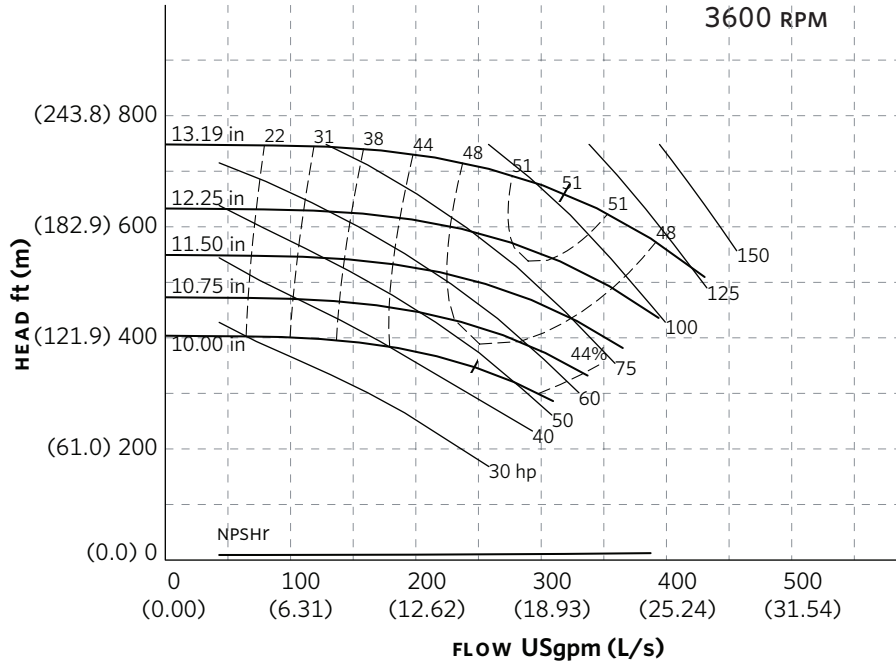
\*Assembly weight combines pump and motor.

†Re-greasable ball bearings on pumps for frame sizes indicated.

\*\*4030 3 × 1.5 × 13 405TS are supplied with a 6-hole (equidistant on HF) base.



SERIES 4030 PERFORMANCE CURVES



Performance curves are for reference only.  
 Confirm current performance data with Armstrong ACE Online selection software.

**TORONTO**

23 BERTRAND AVENUE  
TORONTO, ONTARIO  
CANADA  
M1L 2P3  
+1 416 755 2291

**BUFFALO**

93 EAST AVENUE  
NORTH TONAWANDA, NEW YORK  
U.S.A.  
14120-6594  
+1 716 693 8813

**BIRMINGHAM**

HEYWOOD WHARF, MUCKLOW HILL  
HALESOWEN, WEST MIDLANDS  
UNITED KINGDOM  
B62 8DJ  
+44 (0) 8444 145 145

**MANCHESTER**

WENLOCK WAY  
MANCHESTER  
UNITED KINGDOM  
M12 5JL  
+44 (0) 8444 145 145

**BANGALORE**

#59, FIRST FLOOR, 3RD MAIN  
MARGOSA ROAD, MALLESWARAM  
BANGALORE, INDIA  
560 003  
+91 (0) 80 4906 3555

**SHANGHAI**

NO. 1619 HU HANG ROAD, XI DU TOWNSHIP  
FENG XIAN DISTRICT, SHANGHAI  
P.R.C.  
201401  
+86 21 3756 6696

**MAKING  
ENERGY  
MAKE  
SENSE™**