

Series 4270

SUBMITTAL

JOB: _____	REPRESENTATIVE: _____
ENGINEER: _____	ORDER NO: _____ DATE: _____
CONTRACTOR: _____	SUBMITTED BY: _____ DATE: _____
	APPROVED BY: _____ DATE: _____

PUMP DESIGN DATA			
NO. OF PUMPS:	TAG:		
CAPACITY:	USgpm (L/s)	HEAD:	ft. (m)
LIQUID:	VISCOSITY:		
TEMPERATURE:	°F (°C)	SPECIFIC GRAVITY:	

MOTOR DESIGN DATA	
HP:	RPM: <input type="checkbox"/> 1800 <input type="checkbox"/> 3600
FRAME SIZE:	ENCLOSURE: 50J
VOLTS:	HERTZ: 60 Hz PHASE: <input type="checkbox"/> 1 Phase <input type="checkbox"/> 3 Phase
EFFICIENCY: Standard	

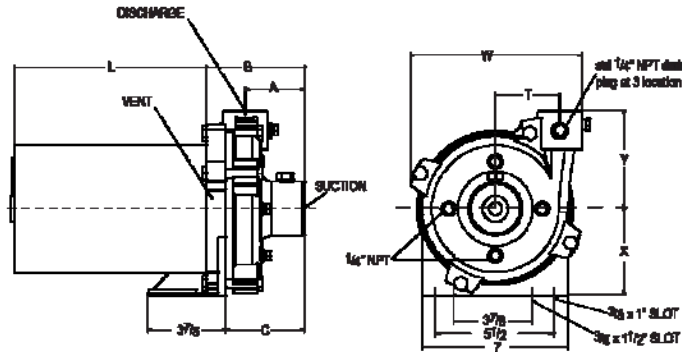
MATERIALS OF CONSTRUCTION	
CONSTRUCTION	BRONZE FITTED
IMPELLER	<input type="checkbox"/> Ultem
CASING/VOLUTE	Cast Iron
O-RING	Viton
ADAPTER	Aluminum
SHAFT	416 Stainless Steel

MECHANICAL SEAL DESIGN DATA	
SEAL TYPE	21
INSERT	Carbon
SEAT	Ceramic
BELLOWS	Viton
L-CUP	Viton
RETAINER	Stainless steel
SPRING	Stainless steel

OPTIONAL EQUIPMENT
<input type="checkbox"/> FLUSHLINE

- FOR EXACT INSTALLATION DATA PLEASE WRITE FACTORY FOR CERTIFIED DIMENSIONS
- SEE PERFORMANCE CURVES ON PAGE 2

MAXIMUM PUMP OPERATING CONDITIONS	
WORKING PRESSURE	150 psi (1034 kPa)
OPERATING TEMPERATURE	275°F (135°C)



Pump equipped with 1/4" NPT Casing drain plug, suction and discharge gauge ports.

DIMENSIONS	
Motor HP	L
1/3	9 ² / ₇ (236)
1/2	9 ² / ₇ (236)
3/4	9 ² / ₇ (236)
1	9 ⁷ / ₉ (248)
1 1/2	10 ² / ₁₁ (259)
2	11 ² / ₁₁ (284)
3	11 ² / ₁₁ (284)
5	11 ³ / ₈ (289)

DIMENSIONAL DATA - PUMPS WITH ODP MOTORS			
Suction x Discharge	1 1/4" x 1"	1 1/2" x 1 1/4"	2" x 1 1/2"
A	2 ⁷ / ₈ (73.03)	2 ⁷ / ₈ (73.03)	2 ⁷ / ₈ (73.03)
B	4 ³ / ₄ (120.65)	4 ³ / ₄ (120.65)	4 ³ / ₄ (120.65)
C	3 ¹³ / ₁₆ (96.84)	3 ¹³ / ₁₆ (96.84)	3 ¹³ / ₁₆ (96.84)
W	8 ¹ / ₄ (209.55)	8 ¹ / ₄ (209.55)	8 ¹ / ₄ (209.55)
T	3 ¹ / ₈ (79.38)	3 ¹ / ₈ (79.38)	3 ¹ / ₈ (79.38)
X	4 ³ / ₁₆ (106.36)	4 ³ / ₁₆ (106.36)	4 ³ / ₁₆ (106.36)
Y	4 ³ / ₄ (120.65)	4 ³ / ₄ (120.65)	4 ³ / ₄ (120.65)

Note: Dimensions (L) are in inches (mm).

Note: Dimensions are in inches (mm).

Dimensions shown are for reference only. For exact installation data, consult factory

S. A. Armstrong Limited
 23 Bertrand Avenue
 Toronto, Ontario
 Canada, M1L 2P3
 T: (416) 755-2291
 F (Main): (416) 759-9101

Armstrong Pumps Inc.
 93 East Avenue
 North Tonawanda, New York
 U.S.A. 14120-6594
 T: (716) 693-8813
 F: (716) 693-8970

Armstrong Holden Brooke Pullen
 Wenlock Way
 Manchester
 United Kingdom, M12 5JL
 T: +44 (0) 161 223 2223
 F: +44 (0) 161 220 9660

