

SERIES 4300 | VERTICAL IN-LINE 4x4x6 | SUBMITTAL

File No: 43.507
Date: NOV. 26, 2014
Supersedes: 43.507
Date: JAN. 28 2013

Job: _____ Representative: _____
 _____ Ordered by: _____ Date: _____
 Engineer: _____ Submitted by: _____ Date: _____
 Contractor: _____ Approved by: _____ Date: _____

PUMP DESIGN DATA

No. of pumps: _____ Tag: _____
 Capacity: _____ USgpm (L/s) Head: _____ ft (m)
 Liquid: _____ Viscosity: _____
 Temperature: _____ °F (°C) Specific gravity: _____
 Suction: 4" (100 mm) Discharge: 4" (100 mm)

MAXIMUM PUMP OPERATING CONDITIONS

ANSI 125

175 psig at 140°F (12 bars at 60°C)
 100 psig at 300°F (7 bars at 149°C)

ANSI 250

375 psig at 100°F (26 bars at 38°C)
 275 psig at 300°F (19 bars at 149°C)

- See file no. 43.50 for maximum seal operating conditions.
- Coupling guard (not shown) is supplied.
- Tolerance of ±0.125" (±3 mm) should be used
- For exact installation data please write factory for certified dimensions.
- See performance curves on page 3
- Pump equipped with casing drain plug and ¼" NPT suction and discharge gauge ports.

MATERIALS OF CONSTRUCTION

ANSI FLANGE RATING	ANSI 125			ANSI 250	
Construction	<input type="checkbox"/> BF	<input type="checkbox"/> AI	<input type="checkbox"/> AB	<input type="checkbox"/> DBF	<input type="checkbox"/> DI
Casing	Cast iron	Cast iron	Bronze	Ductile iron	Ductile iron
Impeller	Bronze	Cast iron	Bronze	Bronze	Cast iron

Flush line: Braided stainless steel

Pump shaft: 416 stainless steel

Coupling: High tensile aluminum

Gasket: Confined fiber

MOTOR DESIGN DATA

HP: _____ RPM: _____
 Frame size: _____ Enclosure: _____
 Volts: _____ Hertz: 60 Hz
 Efficiency: NEMA premium 12.12 Other: _____ %
 Flange size: _____ Phase: _____

MECHANICAL SEAL DESIGN DATA

See file number 43.50 for standard mechanical seal details as indicated below

ARMSTRONG SEAL REFERENCE NUMBER:

c1 (a) Others: _____

SEAL DATA OPTIONS

OPTIONAL EQUIPMENT

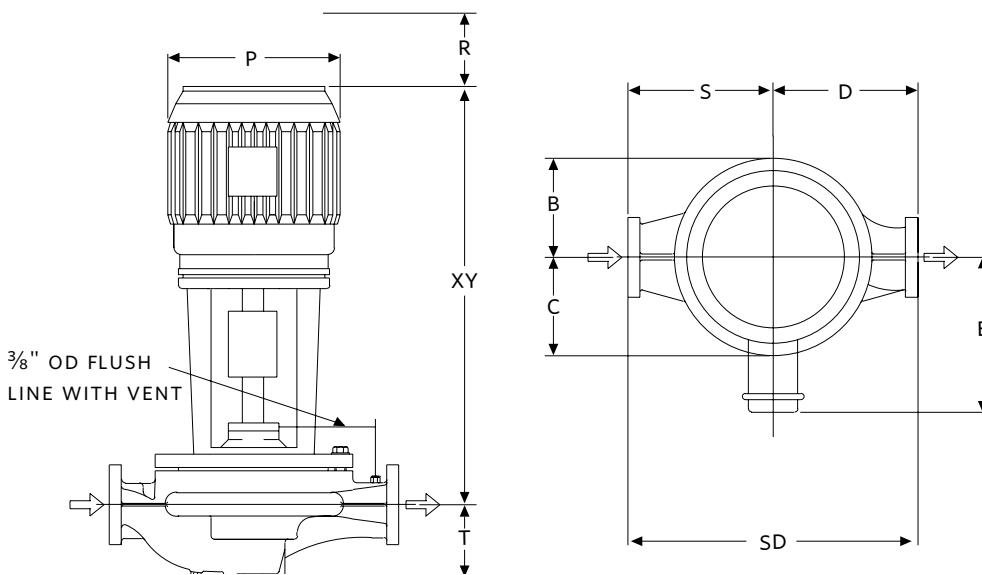
See file no. 43.50 for environmental accessories

MOTOR FRAME	HORSEPOWER @ RPM				DIMENSIONS INCHES (mm)				WEIGHT*	
	ODP		TEFC		ODP/ TEFC				lbs (kgs)	
	3000	1500	3000	1500	E	P	R	XY	ODP	TEFC
143TC	—	1	—	1	6.09 (155)	8.63 (219)	3.00 (80)	22.28 (566)	227 (103.0)	234 (106.1)
145TC	—	1.5 & 2	—	1.5 & 2	6.09 (155)	8.63 (219)	3.00 (80)	22.28 (566)	239 (108.4)	—
182TC	—	3	—	3	7.50 (191)	10.38 (264)	4.00 (90)	26.79 (680)	237 (107.5)	279 (126.6)
184TC	7.5	—	—	—	7.50 (191)	10.38 (264)	4.00 (90)	26.79 (680)	249 (112.9)	294 (133.4)
213TC	10	—	7.5	—	8.25 (210)	12.13 (308)	4.00 (100)	29.16 (741)	315 (142.9)	314 (142.4)
215TC	15	—	10	—	8.25 (210)	12.13 (308)	4.00 (100)	29.16 (741)	320 (145.1)	353 (160.1)
254TC	20	—	15	—	9.94 (252)	13.38 (340)	5.00 (110)	34.29 (871)	395 (179.2)	460 (208.7)
256TC	25	—	20	—	9.94 (252)	13.38 (340)	5.00 (110)	34.29 (871)	450 (204.1)	493 (223.6)

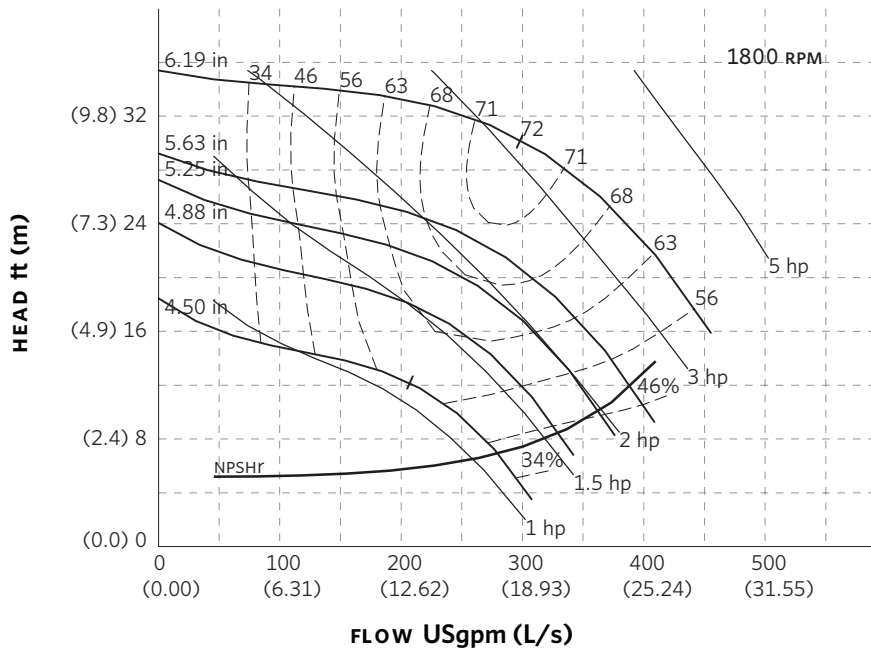
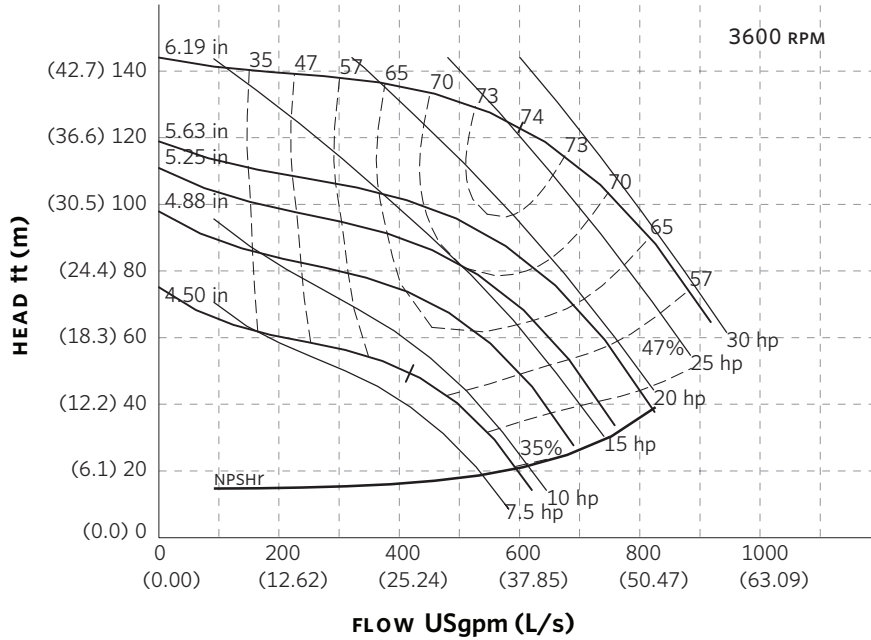
*Assembly weight combines pump and motor.

PUMP DIMENSIONS
inches (mm)

B	C	D	S	SD	T
6.88 (175)	5.50 (140)	10.00 (254)	12.00 (305)	22.00 (559)	8.00 (203)



SERIES 4300 PERFORMANCE CURVES



Performance curves are for reference only.
Confirm current performance data with Armstrong ACE Online selection software.

TORONTO

23 BERTRAND AVENUE
TORONTO, ONTARIO
CANADA
M1L 2P3
+1 416 755 2291

BUFFALO

93 EAST AVENUE
NORTH TONAWANDA, NEW YORK
U.S.A.
14120-6594
+1 716 693 8813

BIRMINGHAM

HEYWOOD WHARF, MUCKLOW HILL
HALESOWEN, WEST MIDLANDS
UNITED KINGDOM
B62 8DJ
+44 (0) 8444 145 145

MANCHESTER

WOLVERTON STREET
MANCHESTER
UNITED KINGDOM
M11 2ET
+44 (0) 8444 145 145

BANGALORE

#59, FIRST FLOOR, 3RD MAIN
MARGOSA ROAD, MALLESWARAM
BANGALORE, INDIA
560 003
+91 (0) 80 4906 3555

SHANGHAI

NO. 1619 HU HANG ROAD, XI DU TOWNSHIP
FENG XIAN DISTRICT, SHANGHAI
P.R.C.
201401
+86 21 3756 6696

**MAKING
ENERGY
MAKE
SENSE™**