



# Series 4300 Vertical In-Line 50Hz (IEC / DIN)

## 80-250A (3x3x10)

## SUBMITTAL

FILE NO:	43.515UK
DATE:	Sept. 13, 2011
SUPERSEDES:	43.515UK
DATE:	Dec. 15, 2010

JOB: _____	REPRESENTATIVE: _____
_____	_____
ENGINEER: _____	ORDER NO: _____ DATE: _____
CONTRACTOR: _____	SUBMITTED BY: _____ DATE: _____
	APPROVED BY: _____ DATE: _____

PUMP DESIGN DATA			
No. of Pumps: _____			
Tag: _____			
Capacity: _____	m <sup>3</sup> /h (l/s)	Head: _____	m (ft)
Liquid: _____		Viscosity: _____	
Temperature: _____		°C (°F) Specific Gravity: _____	

MOTOR DESIGN DATA			
kW: _____		RPM: _____	
Frame Size: _____	Enclosure: _____		
Volts: _____	Hertz: 50 Hz	Phase: _____	
Efficiency: _____	<input type="checkbox"/> IE 1 (NON EU ONLY) <input type="checkbox"/> IE 2 <input type="checkbox"/> IE 3		
Flange Size: _____	Suction: 80 mm (3")	Discharge: 80 mm (3")	

MATERIALS OF CONSTRUCTIONS				
ANSI Flange Rating	PN 16		PN 25	
Construction	<input type="checkbox"/> BF	<input type="checkbox"/> AI	<input type="checkbox"/> DBF	<input type="checkbox"/> DI
Casing	Cast iron	Cast iron	Ductile iron	Ductile iron
Impeller	Bronze	Cast iron	Bronze	Cast iron
Flush line	Braided Stainless Steel			
Pump shaft	416 Stainless Steel			
Coupling	High Tensile Aluminum			
Gasket	Confined Fiber			

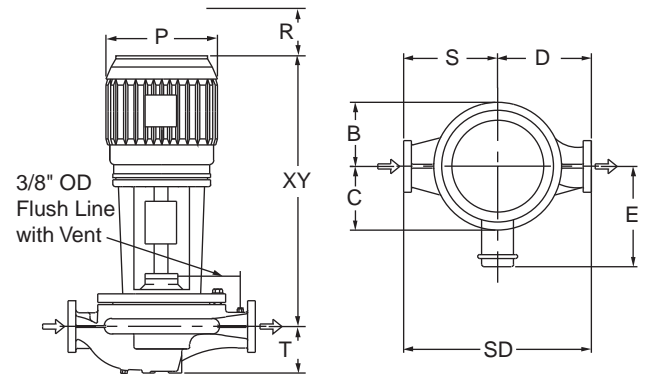
MECHANICAL SEAL DESIGN DATA
See File No. 43.50 for standard mechanical seal details as indicated below
<b>Armstrong Seal Reference Number</b>
<input type="checkbox"/> C1 (a)    Other: _____

SEAL DATA OPTIONS

OPTIONAL EQUIPMENT
SEE FILE NO. 43.50 FOR ENVIRONMENTAL ACCESSORIES

MAXIMUM PUMP OPERATING CONDITIONS	
PN 16	PN 25
12 BAR at 60°C (175 PSI at 140°F)	25 BAR at 38°C (363 PSI at 100°F)
7 BAR at 149°C (100 PSI at 300°F)	19 BAR at 149°C (275 PSI at 300°F)
SEE FILE NO. 43.50 FOR MAXIMUM SEAL OPERATING CONDITIONS	

- Coupling Guard (Not Shown) is supplied.
- Tolerance of ±3 mm (+0.125") should be used.
- For exact installation data please write factory for certified Dimensions.
- See Performance curves on page 2.
- Pump equipped with casing drain plug and 1/4" NPT Suction and Discharge gauge ports



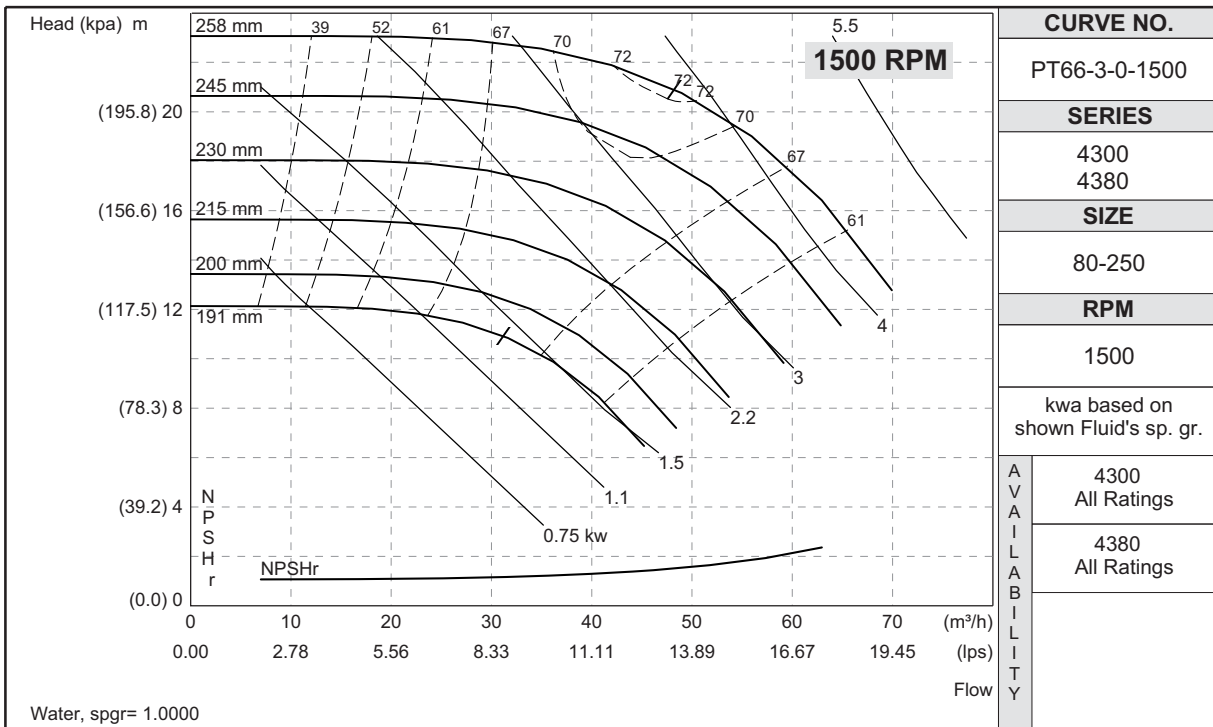
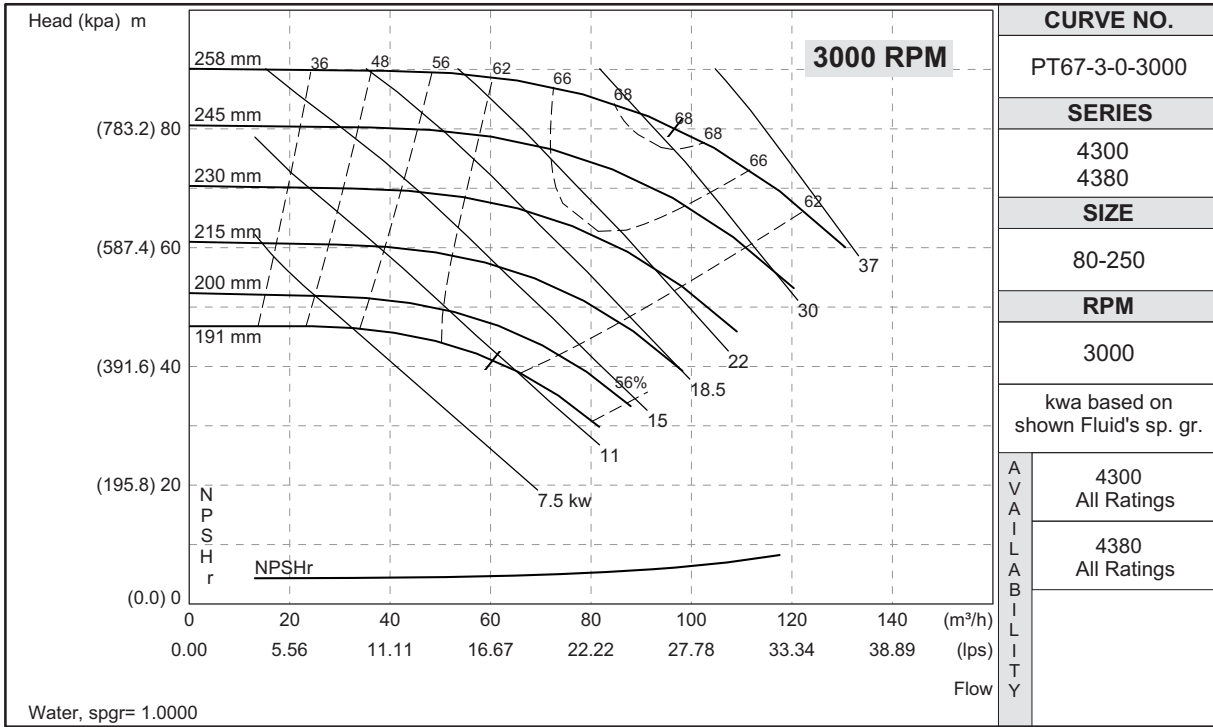
PUMP DIMENSIONS mm (in)					
B	C	D	S	SD	T
183 (7.20)	174 (6.87)	241 (9.50)	292 (11.50)	533 (21.00)	137 (5.40)

MOTOR kW		FRAME	FULL LOAD CURRENT (A)	STARTING CURRENT (A)		DIMENSIONS mm (in)				ASSEMBLY WEIGHT
3000RPM	1500RPM			STAR DELTA (SD)	DIRECT ON LINE (DOL)	E	P	R	XY	kg (lb)
- - -	1.1	90S	2.5	- - -	12.6	133 (5.24)	190 (7.48)	200 (7.87)	485 (19.09)	141.0 (311)
- - -	1.5	90L	3.3	- - -	18.6	133 (5.24)	190 (7.48)	200 (7.87)	532 (20.94)	143.0 (315)
- - -	2.2	100L	4.8	- - -	26.5	138 (5.43)	200 (7.87)	200 (7.87)	567 (22.32)	147.0 (324)
- - -	3	100L	6.4	- - -	37.1	138 (5.43)	200 (7.87)	200 (7.87)	567 (22.32)	151.0 (333)
- - -	4	112M	8.4	18.5	58.9	148 (5.83)	235 (9.25)	200 (7.87)	611 (24.06)	159.0 (351)
- - -	5.5	132S	10.9	24.0	81.8	175 (6.89)	280 (11.02)	250 (9.84)	696 (27.40)	169.0 (373)
11	- - -	160M	21.1	52.8	164.6	208 (8.19)	315 (12.40)	250 (9.84)	828 (32.60)	228.0 (503)
15	- - -	160M	28.5	74.1	228.0	208 (8.19)	315 (12.40)	250 (9.84)	828 (32.60)	239.0 (527)
18.5	- - -	160L	34.9	94.2	303.6	208 (8.19)	315 (12.40)	375 (14.76)	828 (32.60)	254.0 (560)
22	- - -	180M	40.9	114.5	368.1	248 (9.76)	315 (12.40)	375 (14.76)	828 (32.60)	296.0 (653)
30	- - -	200L	55.9	139.8	436.0	275 (10.83)	390 (15.35)	400 (15.75)	1072 (42.20)	352.0 (776)
37	- - -	200L	68.7	171.8	535.9	275 (10.83)	390 (15.35)	400 (15.75)	1072 (42.20)	372.0 (820)



## PERFORMANCE CURVES

Performance Guaranteed Only At Operating Point Indicated  
 Curve Shown for Clear, Cold water - SP. GR. 1.0



**ARMSTRONG INTEGRATED LIMITED**  
 Wenlock Way  
 Manchester  
 United Kingdom, M12 5JL  
**T** +44 (0) 8444 145 145  
**F** +44 (0) 8444 145 146

**S. A. ARMSTRONG LIMITED**  
 23 Bertrand Avenue  
 Toronto, Ontario  
 Canada, M1L 2P3  
**T** 416 755 2291  
**F** 416 759 9101



© S.A. Armstrong Limited 2011