

SERIES 4302 | VERTICAL IN-LINE DUALARM SPLIT-COUPLED | 6 × 6 × 6 | SUBMITTAL

File No: 43D.508
Date: DECEMBER 4, 2014
Supersedes: 43D.508
Date: SEPTEMBER 10, 2012

Job: _____ Representative: _____
 _____ Order no.: _____ Date: _____
 Engineer: _____ Submitted by: _____ Date: _____
 Contractor: _____ Approved by: _____ Date: _____

PUMP DESIGN DATA

No. of pumps: _____ Tag: _____
 Capacity: _____ USgpm (L/s) Head: _____ ft (m)
 Liquid: _____ Viscosity: _____
 Temperature: _____ °F (°C) Specific gravity: _____
 Suction: 6" (150mm) Discharge: 6" (150mm)

MOTOR DESIGN DATA

HP: _____ RPM: _____ Frame size: _____ Enclosure: _____
 Volts: _____ Hertz: 60 Hz Phase: 3
 Efficiency: NEMA premium 12.12 Other _____ %

MATERIALS OF CONSTRUCTION

ANSI FLANGE RATING	ANSI 125	ANSI 250
Construction	<input type="checkbox"/> BF	<input type="checkbox"/> DBF
Casing	Cast iron	Ductile iron
Adapter	Cast iron	Ductile iron

Impeller: Bronze

Gasket: Confined non-asbestos fiber

Shaft: 416 stainless steel

Coupling: High tensile aluminum

Flush line: Braided stainless steel

MAXIMUM PUMP OPERATING CONDITIONS

ANSI 125

175 psig at 150°F (12 bars at 65°C)
 140 psig at 250°F (10 bars at 121°C)

ANSI 250

250 psig at 150°F (17 bars at 65°C)
 250 psig at 250°F (17 bars at 121°C)

- Coupling guard (not shown) is supplied
- See performance curves on page 3
- For exact installation, data please write factory for certified dimensions

MECHANICAL SEAL DATA

See file no. 43.50 for standard mechanical seal details as indicated below.

ARMSTRONG SEAL REFERENCE NUMBER:

c1 (a) Other: _____

OPTIONAL EQUIPMENT

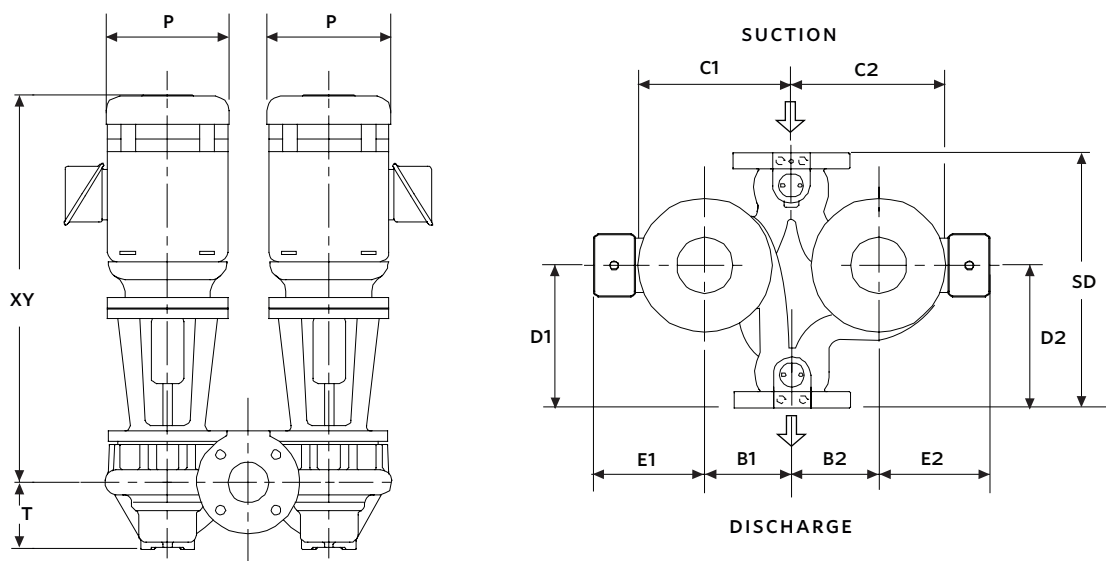
SEAL DATA OPTIONS

MOTOR	HP @ RPM		MAX. DIMENSIONS inches (mm)								WEIGHT		
	3600		1800	E1		E2		P		XY		lbs (kgs)	
	ODP	TEFC		ODP	TEFC	ODP	TEFC	ODP	TEFC	ODP	TEFC	ODP	TEFC
143TC	—	—	1	4.12 (105)	6.09 (155)	4.12 (105)	6.09 (155)	8.63 (219)	7.28 (185)	22.28 (566)	20.78 (528)	504 (228.6)	518 (235.0)
145TC	—	—	1.5 & 2.0	4.12 (105)	6.09 (155)	4.12 (105)	6.09 (155)	8.63 (219)	7.28 (185)	22.28 (566)	20.78 (528)	506 (229.5)	522 (236.8)
182TC	—	—	3	6.84 (174)	7.50 (191)	6.84 (174)	7.50 (191)	10.38 (264)	9.56 (243)	26.79 (680)	26.67 (677)	546 (247.7)	608 (275.8)
184TC	7.5	—	—	6.84 (174)	7.50 (191)	6.84 (174)	7.50 (191)	10.38 (264)	9.56 (243)	26.79 (680)	26.67 (677)	548 (248.6)	—
184TC	—	7.5	—	6.84 (174)	7.50 (191)	6.84 (174)	7.50 (191)	10.38 (264)	9.56 (243)	26.79 (680)	26.67 (677)	—	678 (307.5)
213TC	10	—	—	7.59 (193)	8.25 (210)	7.59 (193)	8.25 (210)	12.13 (308)	11.25 (286)	28.29 (719)	29.41 (747)	680 (308.4)	—
213TC	—	10	—	7.59 (193)	8.25 (210)	7.59 (193)	8.25 (210)	12.13 (308)	11.25 (286)	28.29 (719)	29.41 (747)	—	756 (342.9)
215TC	15	—	—	7.59 (193)	8.25 (210)	7.59 (193)	8.25 (210)	12.13 (308)	11.25 (286)	28.29 (719)	29.41 (747)	690 (313.0)	—
215TC	—	15	—	7.59 (193)	8.25 (210)	7.59 (193)	8.25 (210)	12.13 (308)	11.25 (286)	28.29 (719)	29.41 (747)	—	970 (440.0)
254TC	20	—	—	9.94 (252)	8.90 (226)	9.94 (252)	8.90 (226)	13.38 (340)	13.38 (340)	34.29 (871)	34.35 (872)	840 (381.0)	—
254TC	—	20	—	9.94 (252)	8.90 (226)	9.94 (252)	8.90 (226)	13.38 (340)	13.38 (340)	34.29 (871)	34.35 (872)	—	1036 (469.9)
256TC	25	—	—	9.94 (252)	8.90 (226)	9.94 (252)	8.90 (226)	13.38 (340)	13.38 (340)	34.29 (871)	34.35 (872)	950 (430.9)	—

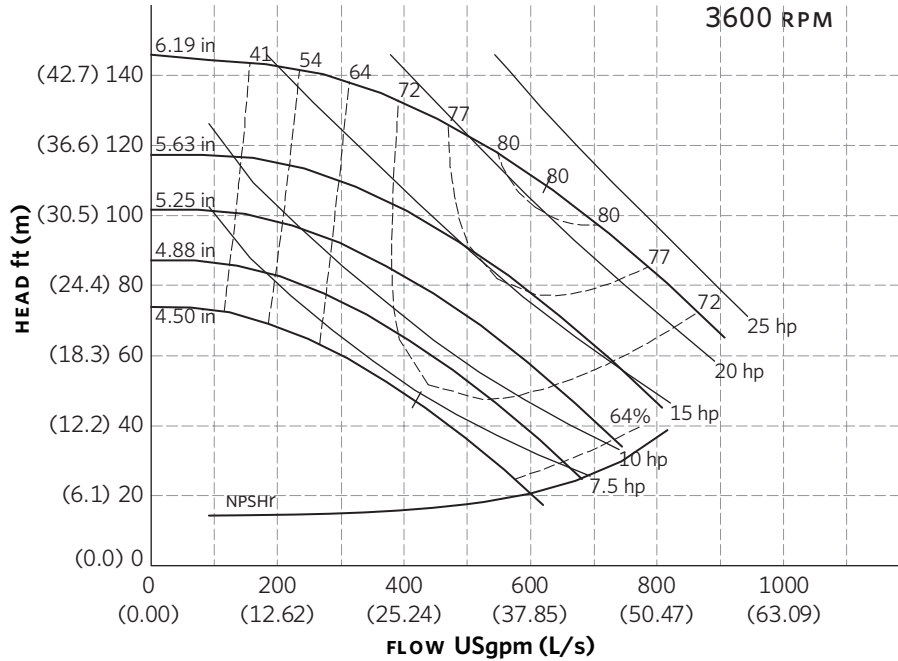
PUMP DIMENSIONS

inches (mm)

B1	B2	C1	C2	D1	D2	SD	T
7.39	7.39	13.63	14.31	16.81	16.81	33.50	7.75
(188)	(188)	(346)	(363)	(427)	(427)	(851)	(197)



SERIES 4302 PERFORMANCE CURVES



Curve number
PT86-2-0-3600

Series
4302
4382

Size
6 × 6 × 6

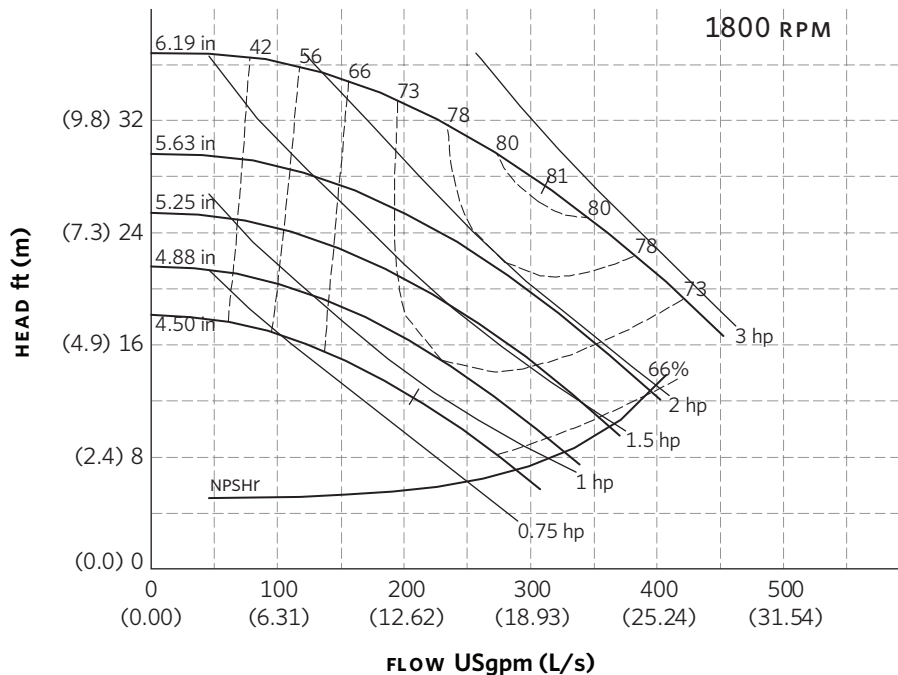
RPM
3600

BHP based on shown
Fluid's sp. gr.

Availability
4302 all ratings
4382 all ratings

Performance
guaranteed only
at operating point
indicated.

Curve shown for
clear, cold water
- SP. GR. 1.0000



Curve number
PT85-2-0-1800

Series
4302
4382

Size
6 × 6 × 6

RPM
1800

BHP based on shown
Fluid's sp. gr.

Availability
4302 all ratings
4382 all ratings

Performance
guaranteed only
at operating point
indicated.

Curve shown for
clear, cold water
- SP. GR. 1.0000

Performance curves are for reference only.
Confirm current performance data with Armstrong ACE ONLINE selection software.

TORONTO

23 BERTRAND AVENUE
TORONTO, ONTARIO
CANADA
M1L 2P3
+1 416 755 2291

BUFFALO

93 EAST AVENUE
NORTH TONAWANDA, NEW YORK
U.S.A.
14120-6594
+1 716 693 8813

BIRMINGHAM

HEYWOOD WHARF, MUCKLOW HILL
HALESOWEN, WEST MIDLANDS
UNITED KINGDOM
B62 8DJ
+44 (0) 8444 145 145

MANCHESTER

WOLVERTON STREET
MANCHESTER
UNITED KINGDOM
M11 2ET
+44 (0) 8444 145 145

BANGALORE

#59, FIRST FLOOR, 3RD MAIN
MARGOSA ROAD, MALLESWARAM
BANGALORE, INDIA
560 003
+91 (0) 80 4906 3555

SHANGHAI

NO. 1619 HU HANG ROAD, XI DU TOWNSHIP
FENG XIAN DISTRICT, SHANGHAI
P.R.C.
201401
+86 21 3756 6696

**MAKING
ENERGY
MAKE
SENSE™**