

## SERIES 4302 | VERTICAL IN-LINE DUALARM SPLIT-COUPLED | 8 × 8 × 10 | SUBMITTAL

File No: 43D.529  
Date: DECEMBER 4, 2014  
Supersedes: 43D.529  
Date: SEPTEMBER 10, 2012

Job: \_\_\_\_\_ Representative: \_\_\_\_\_  
 \_\_\_\_\_ Order no.: \_\_\_\_\_ Date: \_\_\_\_\_  
 Engineer: \_\_\_\_\_ Submitted by: \_\_\_\_\_ Date: \_\_\_\_\_  
 Contractor: \_\_\_\_\_ Approved by: \_\_\_\_\_ Date: \_\_\_\_\_

### PUMP DESIGN DATA

No. of pumps: \_\_\_\_\_ Tag: \_\_\_\_\_  
 Capacity: \_\_\_\_\_ USgpm (L/s) Head: \_\_\_\_\_ ft (m)  
 Liquid: \_\_\_\_\_ Viscosity: \_\_\_\_\_  
 Temperature: \_\_\_\_\_ °F (°C) Specific gravity: \_\_\_\_\_  
 Suction: 8" (200mm) Discharge: 8" (200mm)

### MOTOR DESIGN DATA

HP: \_\_\_\_\_ RPM: \_\_\_\_\_ Frame size: \_\_\_\_\_ Enclosure: \_\_\_\_\_  
 Volts: \_\_\_\_\_ Hertz: 60 Hz Phase: 3  
 Efficiency:  NEMA premium 12.12  Other \_\_\_\_\_ %

### MATERIALS OF CONSTRUCTION

ANSI FLANGE RATING	ANSI 125	ANSI 250
Construction	<input type="checkbox"/> BF	<input type="checkbox"/> DBF
Casing	Cast iron	Ductile iron
Adapter	Cast iron	Ductile iron

**Impeller:** Bronze

**Gasket:** Confined non-asbestos fiber

**Shaft:** 416 stainless steel

**Coupling:** High tensile aluminum

**Flush line:** Braided stainless steel

### MAXIMUM PUMP OPERATING CONDITIONS

#### ANSI 125

175 psig at 150°F (12 bars at 65°C)  
 140 psig at 250°F (10 bars at 121°C)

#### ANSI 250

250 psig at 150°F (17 bars at 65°C)  
 250 psig at 250°F (17 bars at 121°C)

- Coupling guard (not shown) is supplied
- See performance curves on page 3
- For exact installation, data please write factory for certified dimensions

### MECHANICAL SEAL DATA

See file no. 43.50 for standard mechanical seal details as indicated below.

ARMSTRONG SEAL REFERENCE NUMBER:

c1 (a) Other: \_\_\_\_\_

### OPTIONAL EQUIPMENT

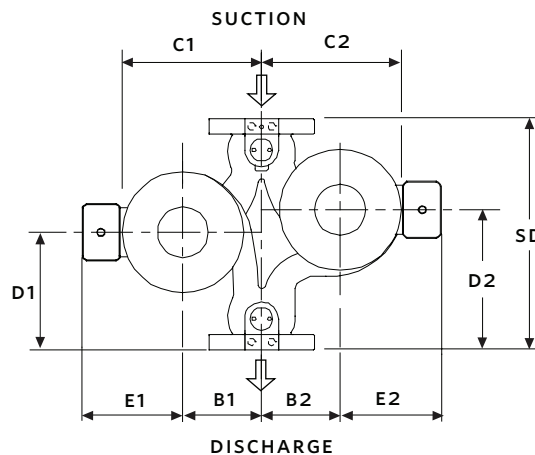
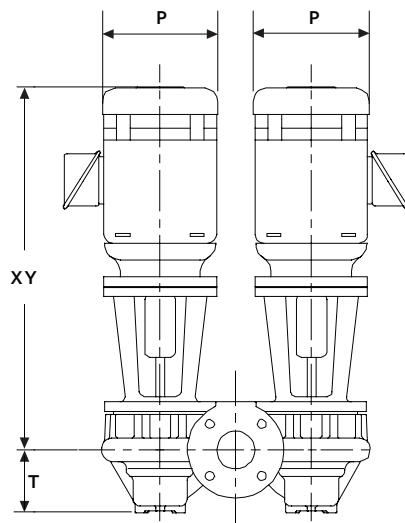
### SEAL DATA OPTIONS

MOTOR FRAME	HP @ RPM				MAX. DIMENSIONS inches (mm)								WEIGHT	
	3600		1800	1200	E1		E2		P		XY		lbs (kgs)	
	ODP	TEFC			ODP	TEFC	ODP	TEFC	ODP	TEFC	ODP	TEFC	ODP	TEFC
213TC	—	—	—	3	7.59 (193)	8.25 (210)	7.59 (193)	8.25 (210)	12.13 (308)	11.25 (286)	28.00 (711)	29.13 (740)	1086 (492.6)	1212 (549.8)
215TC	—	—	—	5	7.59 (193)	8.25 (210)	7.59 (193)	8.25 (210)	12.13 (308)	11.25 (286)	28.00 (711)	29.13 (740)	1158 (525.3)	1290 (585.1)
215TC	—	—	10	—	7.59 (193)	8.25 (210)	7.59 (193)	8.25 (210)	12.13 (308)	11.25 (286)	28.00 (711)	29.13 (740)	1200 (544.3)	1284 (582.4)
254TC	—	—	—	7.5	9.94 (252)	8.90 (226)	9.94 (252)	8.90 (226)	13.38 (340)	13.38 (340)	34.00 (864)	34.07 (865)	1450 (657.7)	1504 (682.2)
254TC	—	—	15.0	—	9.94 (252)	8.90 (226)	9.94 (252)	8.90 (226)	13.38 (340)	13.38 (340)	34.00 (864)	34.07 (865)	1454 (659.5)	1522 (690.4)
256TC	—	—	20	—	9.94 (252)	8.90 (226)	9.94 (252)	8.90 (226)	13.38 (340)	13.38 (340)	34.00 (864)	34.07 (865)	1540 (698.5)	1588 (720.3)
284TSC	—	—	25	—	11.75 (298)	12.00 (305)	11.75 (298)	12.00 (305)	13.38 (340)	15.31 (389)	37.20 (945)	43.33 (1101)	1896 (860.0)	2102 (953.5)
364TSC	75	—	—	—	16.19 (411)	16.44 (418)	16.19 (411)	16.44 (418)	17.68 (449)	19.03 (483)	39.88 (1013)	42.57 (1081)	2790 (1265.5)	—
364TSC	—	75	—	—	16.19 (411)	16.44 (418)	16.19 (411)	16.44 (418)	17.68 (449)	19.03 (483)	39.88 (1013)	42.57 (1081)	—	3230 (1465.1)
365TSC	100	—	—	—	16.19 (411)	16.44 (418)	16.19 (411)	16.44 (418)	17.68 (449)	19.03 (483)	39.88 (1013)	42.57 (1081)	2998 (1359.9)	—
365TSC	—	100	—	—	16.19 (411)	16.44 (418)	16.19 (411)	16.44 (418)	17.68 (449)	19.03 (483)	39.88 (1013)	42.57 (1081)	—	3574 (1621.1)
404TSC	125	—	—	—	16.19 (411)	17.69 (449)	16.19 (411)	17.69 (449)	17.63 (448)	21.41 (544)	42.88 (1089)	46.45 (1180)	3290 (1492.3)	—
405TSC	150	—	—	—	16.19 (411)	17.69 (449)	16.19 (411)	17.69 (449)	17.63 (448)	21.41 (544)	42.88 (1089)	46.45 (1180)	3420 (1551.3)	—

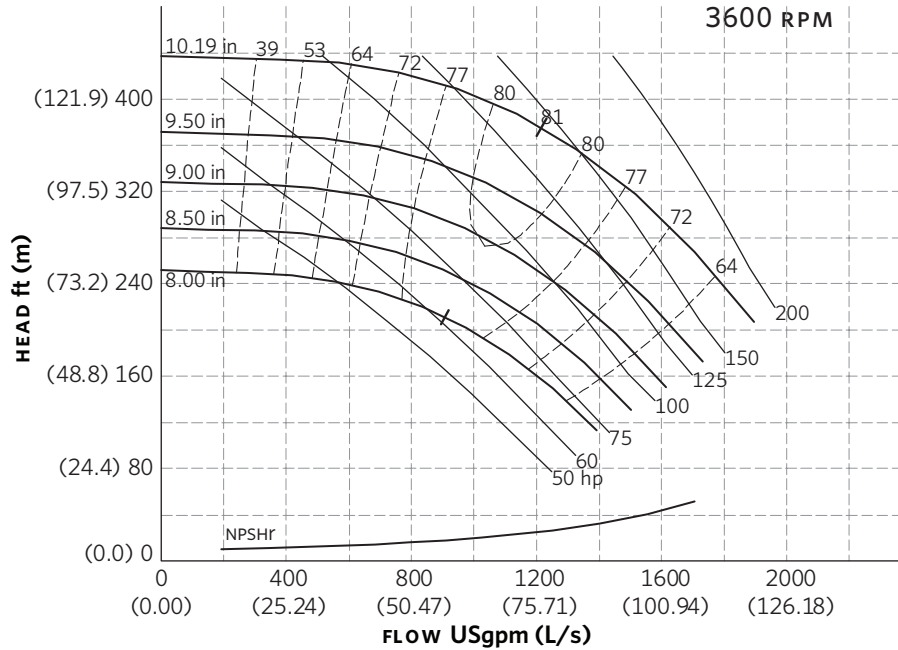
**PUMP DIMENSIONS**

inches (mm)

B1	B2	C1	C2	D1	D2	SD	T
12.00	11.50	20.56	21.00	21.00	25.00	46.00	8.85
(305)	(292)	(522)	(533)	(533)	(635)	(1168)	(225)



**SERIES 4302 PERFORMANCE CURVES**



**Curve number**  
PT103-1-0-3600

**Series**  
4302  
4382

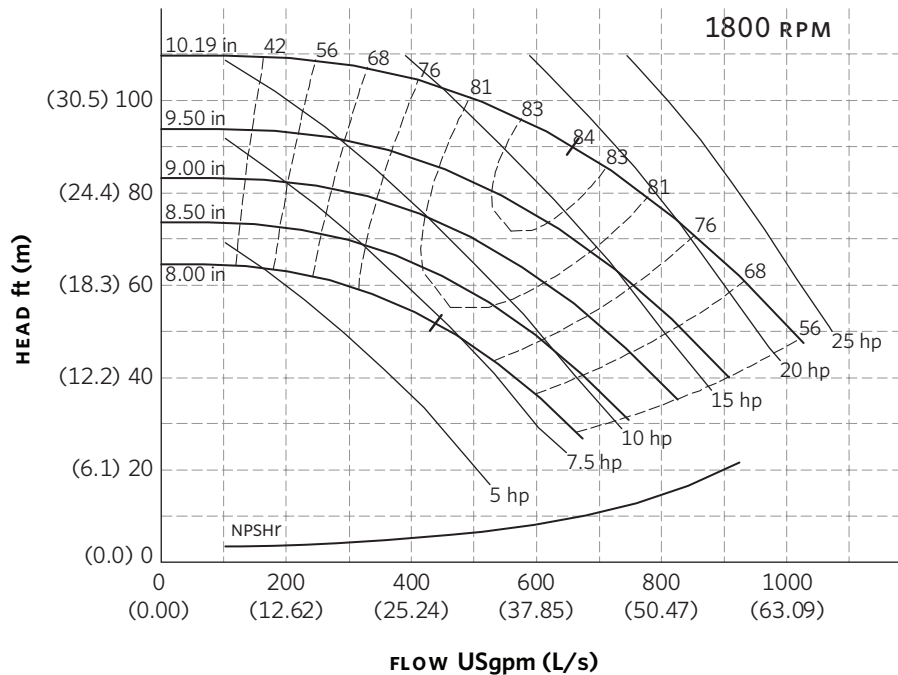
**Size**  
8 × 8 × 10

**RPM**  
3600

BHP based on shown  
Fluid's sp. gr.

**Availability**  
4302 FR 405 MAX.

Performance  
guaranteed only  
at operating point  
indicated.  
Curve shown for  
clear, cold water  
- SP. GR. 1.0000



**Curve number**  
PT104-1-0-1800

**Series**  
4302  
4382

**Size**  
8 × 8 × 10

**RPM**  
1800

BHP based on shown  
Fluid's sp. gr.

**Availability**  
4302 all ratings  
4382 all ratings

Performance  
guaranteed only  
at operating point  
indicated.  
Curve shown for  
clear, cold water  
- SP. GR. 1.0000

Performance curves are for reference only.  
Confirm current performance data with Armstrong ACE ONLINE selection software.

**TORONTO**

23 BERTRAND AVENUE  
TORONTO, ONTARIO  
CANADA  
M1L 2P3  
+1 416 755 2291

**BUFFALO**

93 EAST AVENUE  
NORTH TONAWANDA, NEW YORK  
U.S.A.  
14120-6594  
+1 716 693 8813

**BIRMINGHAM**

HEYWOOD WHARF, MUCKLOW HILL  
HALESOWEN, WEST MIDLANDS  
UNITED KINGDOM  
B62 8DJ  
+44 (0) 8444 145 145

**MANCHESTER**

WOLVERTON STREET  
MANCHESTER  
UNITED KINGDOM  
M11 2ET  
+44 (0) 8444 145 145

**BANGALORE**

#59, FIRST FLOOR, 3RD MAIN  
MARGOSA ROAD, MALLESWARAM  
BANGALORE, INDIA  
560 003  
+91 (0) 80 4906 3555

**SHANGHAI**

NO. 1619 HU HANG ROAD, XI DU TOWNSHIP  
FENG XIAN DISTRICT, SHANGHAI  
P.R.C.  
201401  
+86 21 3756 6696

**MAKING  
ENERGY  
MAKE  
SENSE™**