

SERIES 4360 IN-LINE PUMPS INSIDE MECHANICAL SEAL | 3D | SUBMITTAL

File No: 43.611
Date: NOV. 26, 2014
Supersedes: 43.611
Date: MAR. 15, 2012

Job: _____ Representative: _____
 _____ Ordered by: _____ Date: _____
 Engineer: _____ Submitted by: _____ Date: _____
 Contractor: _____ Approved by: _____ Date: _____

PUMP DESIGN DATA

No. of pumps: _____ Tag: _____
 Capacity: _____ USgpm (L/s) Head: _____ ft (m)
 Liquid: _____ Viscosity: _____
 Temperature: _____ °F (°C) Specific Gravity: _____
 Suction: 3" (75mm) Discharge: 3" (75mm)

MOTOR DESIGN DATA

HP: _____ RPM: _____ Frame size: _____ Enclosure: _____
 Volts: _____ Hertz: 60 Hz Phase: 3
 Efficiency*: Standard Energy EFF 12.11
 NEMA premium 12.12
 * Frame 56 motors: Standard Efficiency only.
 JM motors: 12.11 or 12.12

MATERIALS OF CONSTRUCTION

PART NAME	■ BRONZE FITTED		■ ALL IRON		■ ALL BRONZE	
Casing	Cast iron		Cast iron		Bronze	
Impeller	Bronze		Cast iron		Bronze	
Companion flanges	Cast iron		Cast iron		Bronze	
Pump/motor bracket	Cast iron		Cast iron		Bronze	
Motor frame	<input type="checkbox"/> 56C	<input type="checkbox"/> JM	<input type="checkbox"/> 56C	<input type="checkbox"/> JM	<input type="checkbox"/> 56C	<input type="checkbox"/> JM
Stub shaft	Stainless steel	NA	Stainless steel	NA	Stainless steel	NA
Shaft sleeve	NA	Bronze	NA	St Steel	NA	Bronze

OPTIONAL EQUIPMENT

MECHANICAL SEAL DATA

Seal Type: 2A Stationary Seat: Silicone carbide
 Secondary Seal: EPDM Rotating Hardware: Stainless steel
 Spring: Stainless steel

MAXIMUM PUMP OPERATING CONDITIONS

ANSI 125

175 psig at 150°F (12 bars at 65°C)
 140 psig at 250°F (10 bars at 121°C)

ANSI 250

300 psig at 150°F (20 bars at 65°C)
 250 psig at 250°F (17 bars at 121°C)

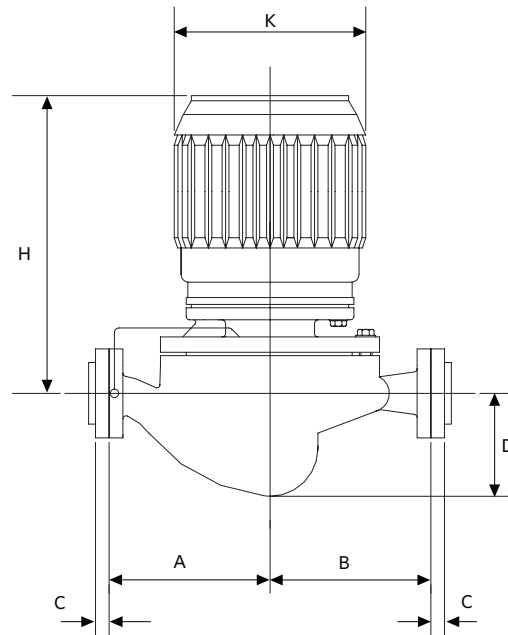
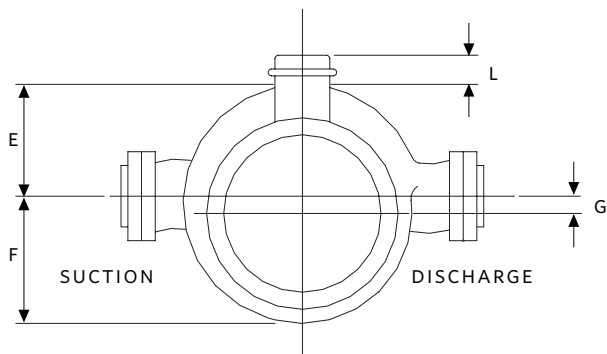
FLUID TYPE	ALL GLYCOLS > 30% WT CONC		ALL OTHER NON-POTABLE FLUIDS		POTABLE (DRINKING) WATER	
Temperature	up to 200°F (93°C)	over 200°F (93°C)	up to 200°F (93°C)	over 200°F (93°C)	up to 200°F (93°C)	over 200°F (93°C)
Rotating Face	Silicone carbide		Resin bonded carbon	Antimony loaded carbon	Resin bonded carbon	
Seat Elastomer	EPDM (L-cup)	EPDM (O-ring)	EPDM (L-cup)	EPDM (O-ring)	EPDM (L-cup)	EPDM (O-ring)
Material Code	SCsc L EPSS 2A	SCsc O EPSS 2A	C-sc L EPSS 2A	ACsc O EPSS 2A	C-sc L EPSS 2A	C-sc O EPSS 2A

MOTOR FRAME	HORSEPOWER @ RPM		MAX. DIMENSIONS INCHES (mm)				SHIP. WEIGHT lbs (kg)		
	3500	1750	G	H		K	L	ODP	TEFC
				SINGLE PHASE	THREE PHASE	MAX	MAX		
56c	-	0.75	0	13.63 (346)	13.88 (353)	7.50 (191)	1.00 (25)	117 (53.1)	117 (53.1)
143JM	-	1	0	14.44 (367)	13.81 (351)	7.50 (191)	2.25 (57)	133 (60.3)	135 (61.2)
145JM	-	1.5	0	15.44 (393)	14.81 (376)	7.50 (191)	2.25 (57)	139 (63.0)	143 (64.9)
145JM	-	2	0	15.44 (393)	14.81 (376)	7.50 (191)	2.25 (57)	142 (64.4)	146 (66.2)
182JM	-	3	0	-	15.56 (395)	9.50 (241)	3.75 (95)	144 (65.3)	183 (83.0)
182JM	5	-	0	-	15.56 (395)	9.50 (241)	3.75 (95)	145 (65.8)	196 (88.9)
184JM	7.5	-	0	-	16.56 (421)	9.50 (241)	3.75 (95)	158 (71.7)	229 (103.9)
213JM	10	-	0	-	18.13 (461)	10.75(273)	5.13 (130)	198 (89.8)	250 (113.4)
215JM	15	-	0	-	19.63 (499)	10.75(273)	5.13 (130)	237 (107.5)	343 (155.6)

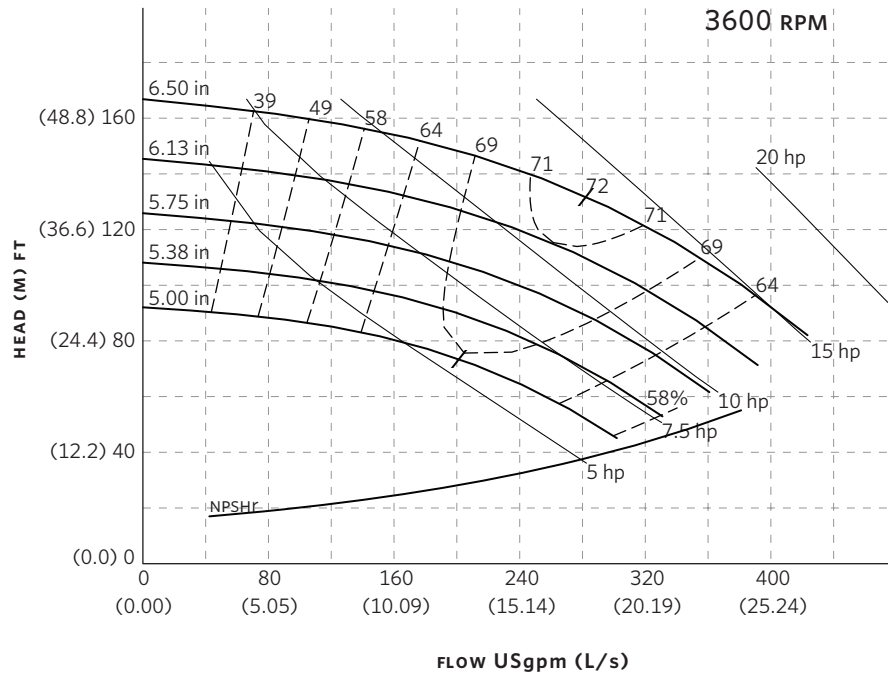
PUMP DIMENSIONS

INCHES (mm)

A	B	C	D	E	F
9.00	9.00	1.00	4.50	5.88	5.00
(227)	(227)	(25)	(114)	(149)	(127)



SERIES 4360 PERFORMANCE CURVES



Curve number
PT43-0-0-3600

Series
4360

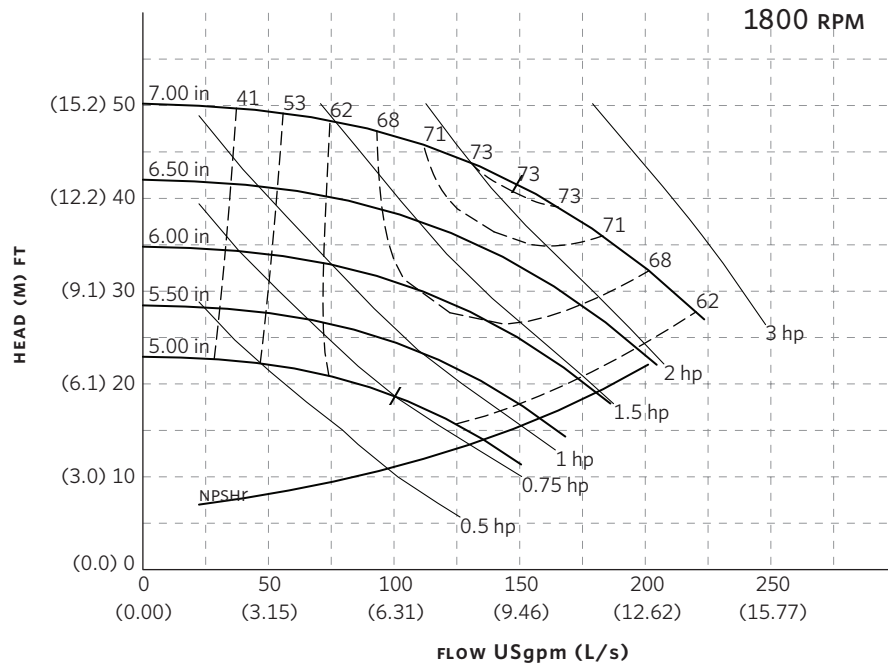
Size
3D

RPM
3600

BHP based on shown
Fluid's sp. gr.

Availability
4360 all ratings

Performance
guaranteed only
at operating point
indicated
Curve shown for
clear, cold
water - SP. GR. 1.0000



Curve number
PT42-0-0-1800

Series
4360

Size
2D

RPM
1800

BHP based on shown
Fluid's sp. gr.

Availability
4360 all ratings

Performance
guaranteed only
at operating point
indicated
Curve shown for
clear, cold
water - SP. GR. 1.0000

Performance curves are for reference only.
Confirm current performance data with Armstrong ACE Online selection software.

TORONTO

23 BERTRAND AVENUE
TORONTO, ONTARIO
CANADA
M1L 2P3
+416 755 2291

BUFFALO

93 EAST AVENUE
NORTH TONAWANDA, NEW YORK
U.S.A.
14120-6594
+716 693 8813

BIRMINGHAM

HEYWOOD WHARF, MUCKLOW HILL
HALESOWEN, WEST MIDLANDS
UNITED KINGDOM
B62 8DJ
+44 (0) 8444 145 145

MANCHESTER

WENLOCK WAY
MANCHESTER
UNITED KINGDOM
M12 5JL
+44 (0) 8444 145 145

BANGALORE

#59, FIRST FLOOR, 3RD MAIN
MARGOSA ROAD, MALLESWARAM
BANGALORE, INDIA
560 003
+91 (0) 80 4906 3555

SHANGHAI

NO. 1619 HU HANG ROAD, XI DU TOWNSHIP
FENG XIAN DISTRICT, SHANGHAI
P.R.C.
201401
+86 21 3756 6696

ARMSTRONG INTEGRATED
ESTABLISHED 1934

ARMSTRONGINTEGRATED.COM

**MAKING
ENERGY
MAKE
SENSE™**