

SERIES 4380 | VERTICAL IN-LINE PUMPS CLOSED-COUPLED | 1.5 × 1.5 × 8 | SUBMITTAL

File No: 43-711
Date: NOV. 26, 2014
Supersedes: 43-711
Date: SEPTEMBER 10, 2012

Job: _____ Representative: _____
 _____ Order no.: _____ Date: _____
 Engineer: _____ Submitted by: _____ Date: _____
 Contractor: _____ Approved by: _____ Date: _____

PUMP DESIGN DATA

No. of pumps: _____ Tag: _____
 Capacity: _____ USgpm (L/s) Head: _____ ft (m)
 Liquid: _____ Viscosity: _____
 Temperature: _____ °F (°C) Specific gravity: _____
 Suction: 1.5" (38mm) Discharge: 1.5" (38mm)

MOTOR DESIGN DATA

HP: _____ RPM: _____ Frame size: _____ Enclosure: _____
 Volts: _____ Hertz: 60 Hz Phase: 3
 Efficiency: Energy EFF 12.11 NEMA premium 12.12

MATERIALS OF CONSTRUCTION

ANSI FLANGE RATING	ANSI 125	ANSI 250
Construction	<input type="checkbox"/> BF	<input type="checkbox"/> DBF
Casing	Cast iron	Ductile iron
Adapter	Cast iron	Ductile iron

Impeller: Bronze
Gasket: Confined non-asbestos fiber
Shaft: Carbon steel
Shaft sleeve: Bronze
Flush line: Braided stainless steel

MAXIMUM PUMP OPERATING CONDITIONS

ANSI 125
 175 psig at 150°F (12 bars at 65°C)
 140 psig at 250°F (10 bars at 121°C)

ANSI 250
 300 psig at 150°F (20 bars at 65°C)
 250 psig at 250°F (17 bars at 121°C)

- Tolerance of ±0.125" (±3 mm) should be used
- See performance curves on page 3
- For exact installation, data please write factory for certified dimensions
- Pump equipped with casing drain plug and ¼" NPT suction and discharge gauge ports

MECHANICAL SEAL DATA

Seal type: 2A **Stationary seat:** Silicone carbide
Secondary seal: EPDM **Rotating hardware:** Stainless steel
Spring: Stainless steel

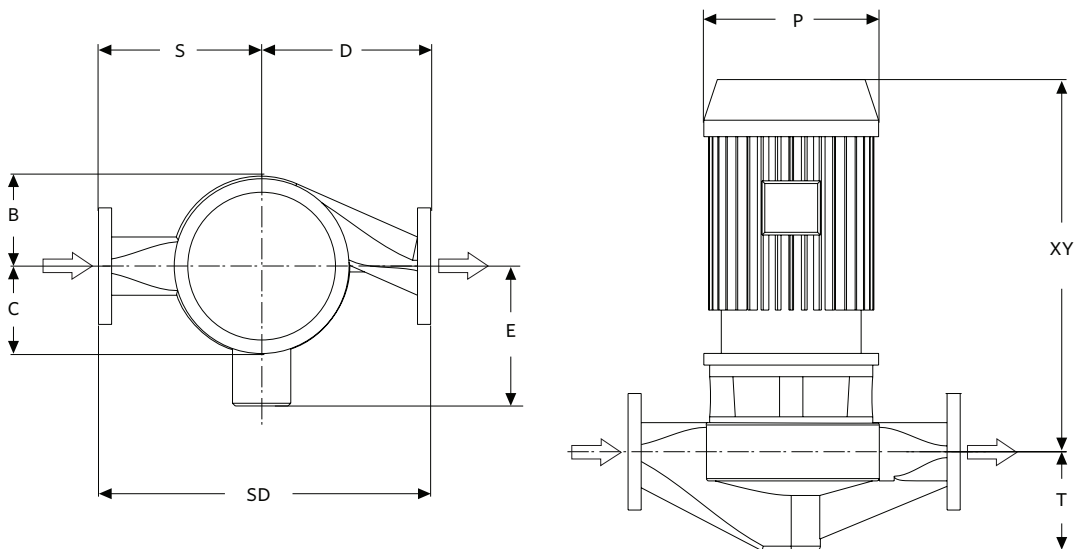
OPTIONAL EQUIPMENT

FLUID TYPE	ALL GLYCOLS > 30% WT CONC		ALL OTHER NON-POTABLE FLUIDS		POTABLE (DRINKING) WATER	
	up to 200°F (93°C)	over 200°F (93°C)	up to 200°F (93°C)	over 200°F (93°C)	up to 200°F (93°C)	over 200°F (93°C)
Temperature	up to 200°F (93°C)	over 200°F (93°C)	up to 200°F (93°C)	over 200°F (93°C)	up to 200°F (93°C)	over 200°F (93°C)
Rotating face	Silicone carbide		Resin bonded carbon	Antimony loaded carbon	Resin bonded carbon	
Seat elastomer	EPDM (L-cup)	EPDM (O-ring)	EPDM (L-cup)	EPDM (O-ring)	EPDM (L-cup)	EPDM (O-ring)
Material code	SCSC L EPSS 2A	SCSC O EPSS 2A	C-SC L EPSS 2A	ACSC O EPSS 2A	C-SC L EPSS 2A	C-SC O EPSS 2A

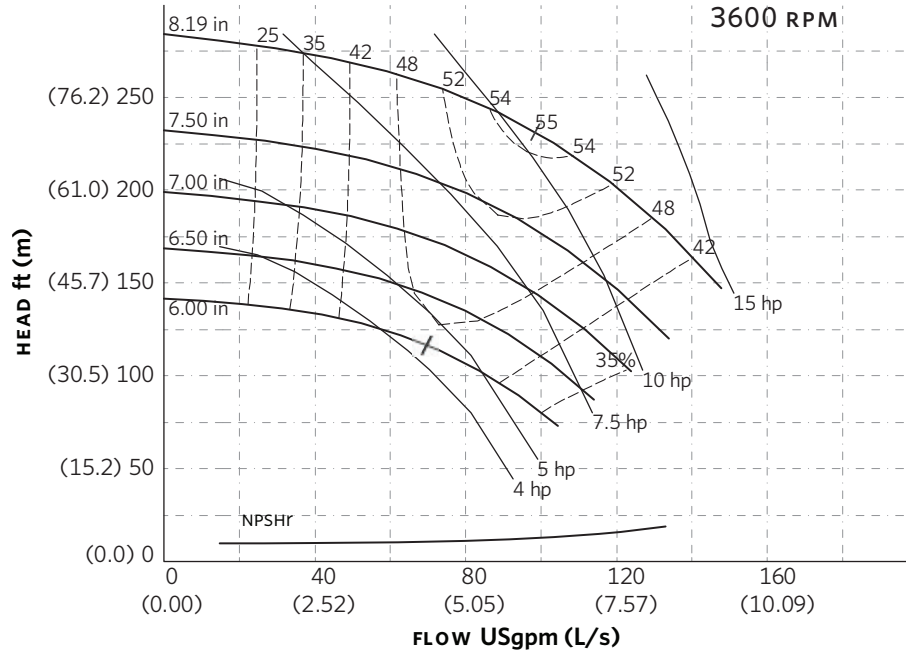
MOTOR FRAME	HORSEPOWER @ RPM ODP & TEFC			DIMENSIONS inches (mm)			SHIP. WEIGHT lbs (kgs)	
	3600	1800	1200	E	P	XY	ODP	TEFC
56	—	0.5- 0.75	0.167 - 0.5	6.00 (152)	7.50 (191)	16.01 (407)	142 (64.4)	—
143	—	1	0.75	6.13 (156)	8.63 (219)	17.26 (438)	161 (73.0)	164 (74.4)
145	—	1.5	—	6.13 (156)	8.63 (219)	17.26 (438)	168 (76.2)	172 (78.0)
145	—	2	—	6.13 (156)	8.63 (219)	17.26 (438)	168 (76.2)	174 (78.9)
182	5	—	—	7.50 (191)	10.38 (264)	19.26 (489)	172 (78.0)	222 (100.7)
184	7.5	—	—	7.50 (191)	10.38 (264)	19.26 (489)	184 (83.5)	265 (120.2)
213	10	—	—	8.25 (210)	12.13 (308)	25.49 (647)	266 (120.7)	308 (139.7)
215	15	—	—	8.25 (210)	12.13 (308)	25.49 (647)	271 (122.9)	396 (179.6)

PUMP DIMENSIONS
inches (mm)

INLET	OUTLET	B	C	D	S	SD	T
1.50	1.50	5.72	5.72	8.00	8.00	16.00	4.59
(38)	(38)	(145)	(145)	(203)	(203)	(406)	(117)



SERIES 4380 PERFORMANCE CURVES



Curve number
PT15-1-0-3600

Series
4300
4380

Size
1.5 × 1.5 × 8

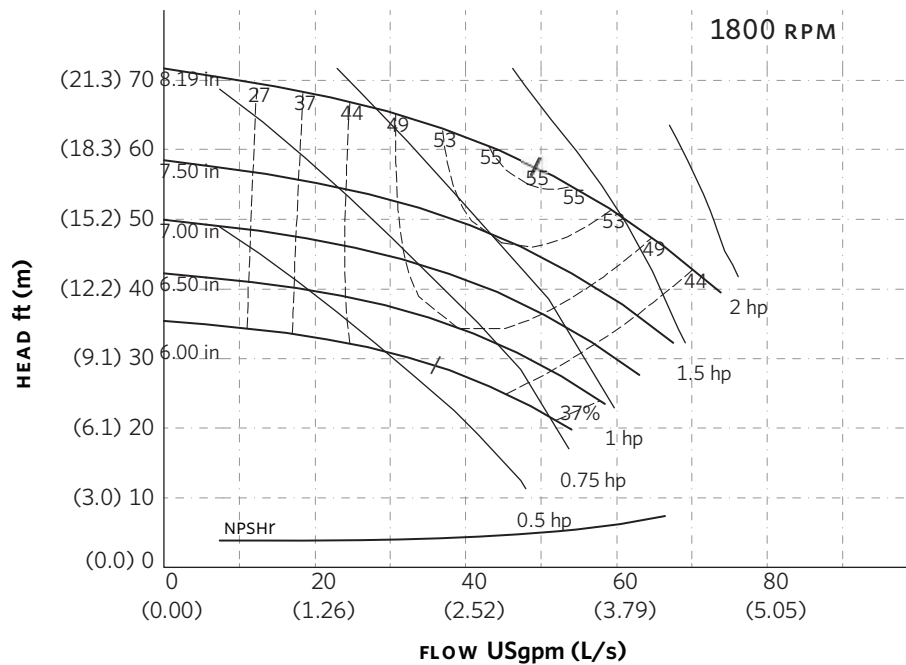
RPM
3600

BHP based on shown
Fluid's sp. gr.

Availability
4300 all ratings
4380 all ratings

Performance
guaranteed only
at operating point
indicated.

Curve shown for
clear, cold water
- SP. GR. 1.0000



Curve number
PT14-1-0-1800

Series
4300
4380

Size
1.5 × 1.5 × 8

RPM
1800

BHP based on shown
Fluid's sp. gr.

Availability
4300 FR 143 MIN.
4380 all ratings

Performance
guaranteed only
at operating point
indicated.

Curve shown for
clear, cold water
- SP. GR. 1.0000

Performance curves are for reference only.

Confirm current performance data with Armstrong ACE Online selection software.

TORONTO

23 BERTRAND AVENUE
TORONTO, ONTARIO
CANADA
M1L 2P3
+1 416 755 2291

BUFFALO

93 EAST AVENUE
NORTH TONAWANDA, NEW YORK
U.S.A.
14120-6594
+1 716 693 8813

BIRMINGHAM

HEYWOOD WHARF, MUCKLOW HILL
HALESOWEN, WEST MIDLANDS
UNITED KINGDOM
B62 8DJ
+44 (0) 8444 145 145

MANCHESTER

WOLVERTON STREET
MANCHESTER
UNITED KINGDOM
M11 2ET
+44 (0) 8444 145 145

BANGALORE

#59, FIRST FLOOR, 3RD MAIN
MARGOSA ROAD, MALLESWARAM
BANGALORE, INDIA
560 003
+91 (0) 80 4906 3555

SHANGHAI

NO. 1619 HU HANG ROAD, XI DU TOWNSHIP
FENG XIAN DISTRICT, SHANGHAI
P.R.C.
201401
+86 21 3756 6696

ARMSTRONG FLUID TECHNOLOGY
ESTABLISHED 1934

ARMSTRONGFLUIDTECHNOLOGY.COM

**MAKING
ENERGY
MAKE
SENSE™**