

SERIES 4380 | VERTICAL IN-LINE PUMPS CLOSED-COUPLED | 4 × 4 × 8 | SUBMITTAL

File No: 43-716
Date: NOV. 26, 2014
Supersedes: 43-716
Date: SEPTEMBER 10, 2012

Job: _____ Representative: _____
 _____ Order no.: _____ Date: _____
 Engineer: _____ Submitted by: _____ Date: _____
 Contractor: _____ Approved by: _____ Date: _____

PUMP DESIGN DATA

No. of pumps: _____ Tag: _____
 Capacity: _____ USgpm (L/s) Head: _____ ft (m)
 Liquid: _____ Viscosity: _____
 Temperature: _____ °F (°C) Specific gravity: _____
 Suction: 4" (100mm) Discharge: 4" (100mm)

MOTOR DESIGN DATA

HP: _____ RPM: _____ Frame size: _____ Enclosure: _____
 Volts: _____ Hertz: 60 Hz Phase: 3
 Efficiency: Energy EFF 12.11 NEMA premium 12.12

MATERIALS OF CONSTRUCTION

ANSI FLANGE RATING	ANSI 125	ANSI 250
Construction	<input type="checkbox"/> BF	<input type="checkbox"/> DBF
Casing	Cast iron	Ductile iron
Adapter	Cast iron	Ductile iron

Impeller: Bronze

Gasket: Confined non-asbestos fiber

Shaft: Carbon steel

Shaft sleeve: Bronze

Flush line: Braided stainless steel

MAXIMUM PUMP OPERATING CONDITIONS

ANSI 125

175 psig at 150°F (12 bars at 65°C)
 140 psig at 250°F (10 bars at 121°C)

ANSI 250

300 psig at 150°F (20 bars at 65°C)
 250 psig at 250°F (17 bars at 121°C)

- Tolerance of ±0.125" (±3 mm) should be used
- See performance curves on page 3
- For exact installation, data please write factory for certified dimensions
- Pump equipped with casing drain plug and ¼" NPT suction and discharge gauge ports

MECHANICAL SEAL DATA

Seal type: 2A **Stationary seat:** Silicone carbide
Secondary seal: EPDM **Rotating hardware:** Stainless steel
Spring: Stainless steel

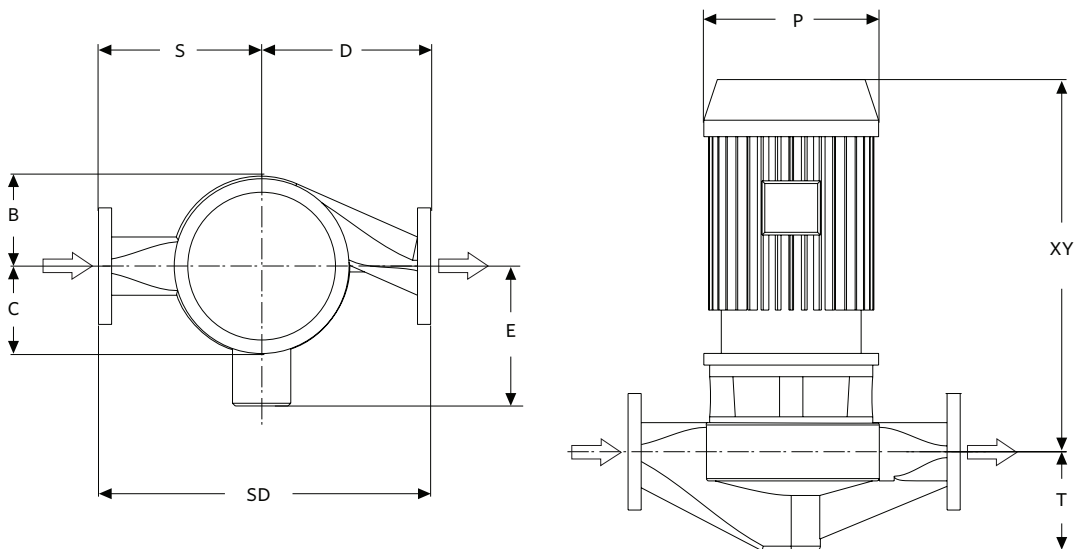
OPTIONAL EQUIPMENT

FLUID TYPE	ALL GLYCOLS > 30% WT CONC		ALL OTHER NON-POTABLE FLUIDS		POTABLE (DRINKING) WATER	
	up to 200°F (93°C)	over 200°F (93°C)	up to 200°F (93°C)	over 200°F (93°C)	up to 200°F (93°C)	over 200°F (93°C)
Rotating face	Silicone carbide		Resin bonded carbon	Antimony loaded carbon	Resin bonded carbon	
Seat elastomer	EPDM (L-cup)	EPDM (O-ring)	EPDM (L-cup)	EPDM (O-ring)	EPDM (L-cup)	EPDM (O-ring)
Material code	SCSC L EPSS 2A	SCSC O EPSS 2A	C-SC L EPSS 2A	ACSC O EPSS 2A	C-SC L EPSS 2A	C-SC O EPSS 2A

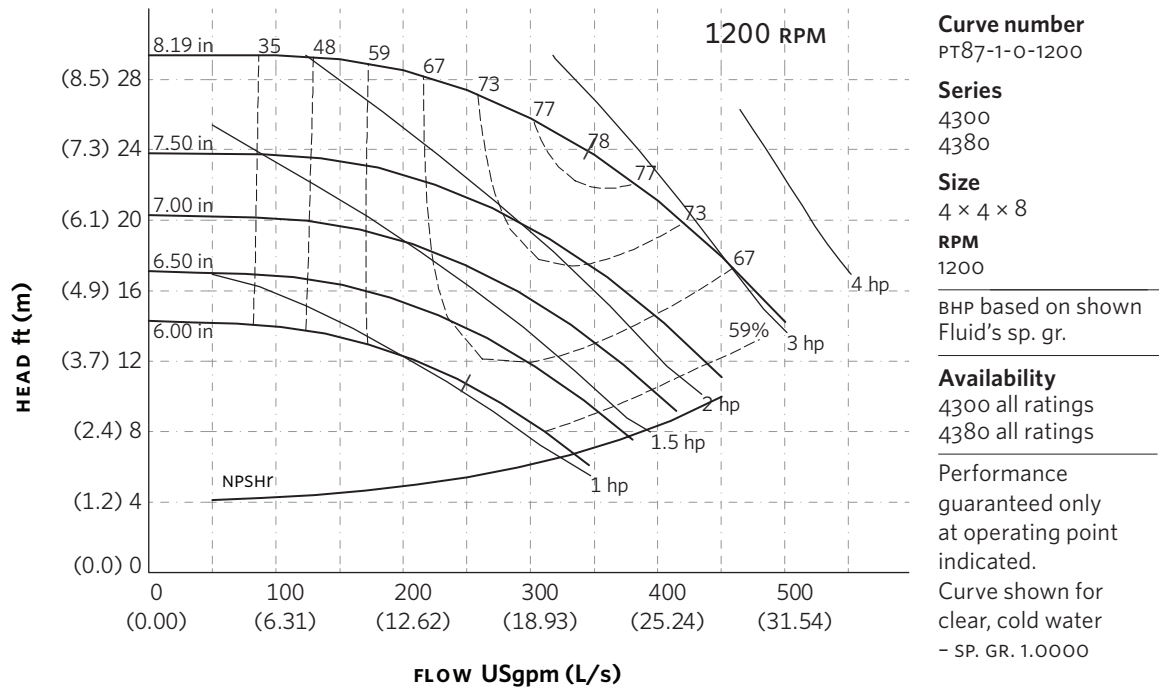
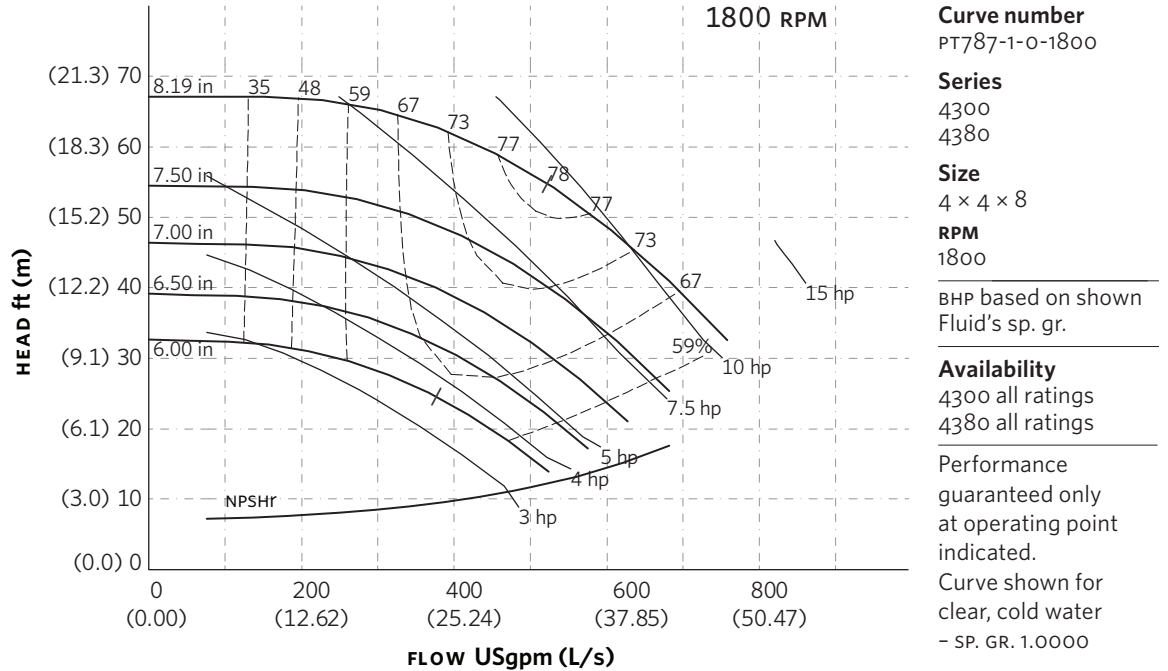
MOTOR FRAME	HORSEPOWER @ RPM ODP & TEFC			DIMENSIONS inches (mm)			SHIP. WEIGHT lbs (kgs)	
	3600	1800	1200	E	P	XY	ODP	TEFC
145	—	—	1	6.13 (156)	8.63 (219)	17.42 (442)	231 (104.8)	245 (111.1)
182	—	3	1.5	7.50 (191)	10.38 (264)	19.42 (493)	240 (108.9)	284 (128.8)
184	—	5	2	7.50 (191)	10.38 (264)	19.42 (493)	255 (115.7)	334 (151.5)
213	—	7.5	3	8.25 (210)	12.13 (308)	25.64 (651)	287 (130.2)	363 (164.7)
215	—	10	—	8.25 (210)	12.13 (308)	25.64 (651)	309 (140.2)	381 (172.8)
254	—	15	—	9.94 (252)	12.13 (308)	25.01 (635)	484 (219.5)	481 (218.2)
284	30	—	—	10.81 (275)	11.50 (292)	27.89 (708)	479 (217.3)	635 (288.0)
286	40	—	—	10.81 (275)	11.50 (292)	27.89 (708)	576 (261.3)	793 (359.7)
324	50	—	—	10.81 (275)	11.50 (292)	29.14 (740)	660 (299.4)	830 (376.5)
326	60	—	—	10.81 (275)	11.50 (292)	29.14 (740)	742 (336.6)	1155 (523.9)

PUMP DIMENSIONS
inches (mm)

INLET	OUTLET	B	C	D	S	SD	T
4.00	4.00	8.89	6.80	11.00	14.00	25.00	8.00
(102)	(102)	(226)	(173)	(279)	(356)	(635)	(203)



SERIES 4380 PERFORMANCE CURVES



Performance curves are for reference only.
Confirm current performance data with Armstrong ACE Online selection software.

TORONTO

23 BERTRAND AVENUE
TORONTO, ONTARIO
CANADA
M1L 2P3
+1 416 755 2291

BUFFALO

93 EAST AVENUE
NORTH TONAWANDA, NEW YORK
U.S.A.
14120-6594
+1 716 693 8813

BIRMINGHAM

HEYWOOD WHARF, MUCKLOW HILL
HALESOWEN, WEST MIDLANDS
UNITED KINGDOM
B62 8DJ
+44 (0) 8444 145 145

MANCHESTER

WOLVERTON STREET
MANCHESTER
UNITED KINGDOM
M11 2ET
+44 (0) 8444 145 145

BANGALORE

#59, FIRST FLOOR, 3RD MAIN
MARGOSA ROAD, MALLESWARAM
BANGALORE, INDIA
560 003
+91 (0) 80 4906 3555

SHANGHAI

NO. 1619 HU HANG ROAD, XI DU TOWNSHIP
FENG XIAN DISTRICT, SHANGHAI
P.R.C.
201401
+86 21 3756 6696

**MAKING
ENERGY
MAKE
SENSE™**