

## SERIES 4382 | VERTICAL IN-LINE DUALARM CLOSED-COUPLED | 4 x 4 x 6 | SUBMITTAL

File No: 43D.708  
Date: DECEMBER 4, 2014  
Supersedes: 43D.708  
Date: SEPTEMBER 10, 2012

Job: \_\_\_\_\_ Representative: \_\_\_\_\_  
 \_\_\_\_\_ Order no.: \_\_\_\_\_ Date: \_\_\_\_\_  
 Engineer: \_\_\_\_\_ Submitted by: \_\_\_\_\_ Date: \_\_\_\_\_  
 Contractor: \_\_\_\_\_ Approved by: \_\_\_\_\_ Date: \_\_\_\_\_

### PUMP DESIGN DATA

No. of pumps: \_\_\_\_\_ Tag: \_\_\_\_\_  
 Capacity: \_\_\_\_\_ USgpm (L/s) Head: \_\_\_\_\_ ft (m)  
 Liquid: \_\_\_\_\_ Viscosity: \_\_\_\_\_  
 Temperature: \_\_\_\_\_ °F (°C) Specific gravity: \_\_\_\_\_  
 Suction: 4" (100mm) Discharge: 4" (100mm)

### MOTOR DESIGN DATA

HP: \_\_\_\_\_ RPM: \_\_\_\_\_ Frame size: \_\_\_\_\_ Enclosure: \_\_\_\_\_  
 Volts: \_\_\_\_\_ Hertz: 60 Hz Phase: 3  
 Efficiency:  Energy EFF 12.11  NEMA premium 12.12

### MATERIALS OF CONSTRUCTION

| ANSI FLANGE RATING  | ANSI 125                    | ANSI 250                     |
|---------------------|-----------------------------|------------------------------|
| <b>Construction</b> | <input type="checkbox"/> BF | <input type="checkbox"/> DBF |
| <b>Casing</b>       | Cast iron                   | Ductile iron                 |
| <b>Adapter</b>      | Cast iron                   | Ductile iron                 |

**Impeller:** Bronze  
**Gasket:** Confined non-asbestos fiber  
**Shaft:** Carbon steel  
**Shaft sleeve:** Bronze  
**Flush line:** Braided stainless steel

### MAXIMUM PUMP OPERATING CONDITIONS

**ANSI 125**  
 175 psig at 150°F (12 bars at 65°C)  
 140 psig at 250°F (10 bars at 121°C)  
**ANSI 250**  
 250 psig at 150°F (17 bars at 65°C)  
 250 psig at 250°F (17 bars at 121°C)

- Coupling guard (not shown) is supplied
- See performance curves on page 3
- For exact installation, data please write factory for certified dimensions

### MECHANICAL SEAL DATA

**Seal type:** 2A  
**Stationary seat:** Silicone carbide  
**Secondary seal:** EPDM  
**Rotating hardware:** Stainless steel  
**Spring:** Stainless steel

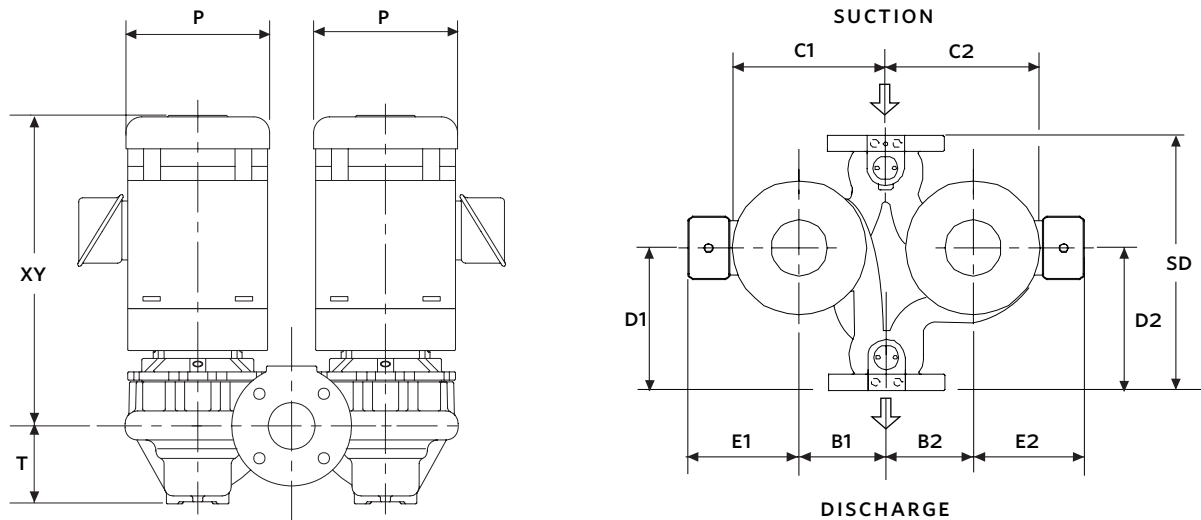
### OPTIONAL EQUIPMENT

| FLUID TYPE            | ALL GLYCOLS > 30% WT CONC |                   | ALL OTHER NON-POTABLE FLUIDS |                        | POTABLE (DRINKING) WATER |                   |
|-----------------------|---------------------------|-------------------|------------------------------|------------------------|--------------------------|-------------------|
|                       | up to 200°F (93°C)        | over 200°F (93°C) | up to 200°F (93°C)           | over 200°F (93°C)      | up to 200°F (93°C)       | over 200°F (93°C) |
| <b>Temperature</b>    | up to 200°F (93°C)        | over 200°F (93°C) | up to 200°F (93°C)           | over 200°F (93°C)      | up to 200°F (93°C)       | over 200°F (93°C) |
| <b>Rotating face</b>  | Silicone carbide          |                   | Resin bonded carbon          | Antimony loaded carbon | Resin bonded carbon      |                   |
| <b>Seat elastomer</b> | EPDM (L-cup)              | EPDM (O-ring)     | EPDM (L-cup)                 | EPDM (O-ring)          | EPDM (L-cup)             | EPDM (O-ring)     |
| <b>Material code</b>  | SCSc L EPSS 2A            | SCSc O EPSS 2A    | C-SC L EPSS 2A               | ACSc O EPSS 2A         | C-SC L EPSS 2A           | C-SC O EPSS 2A    |

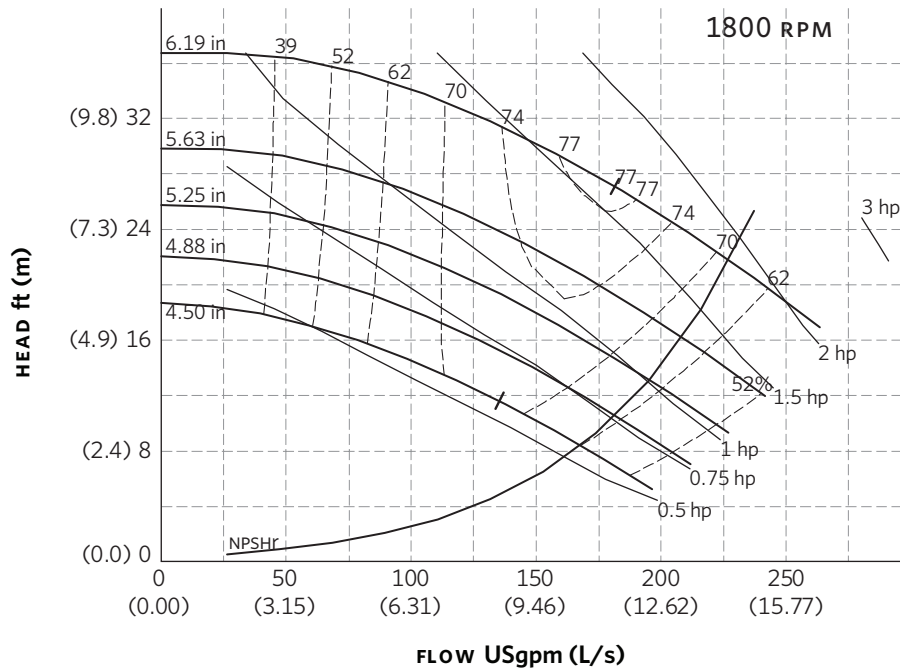
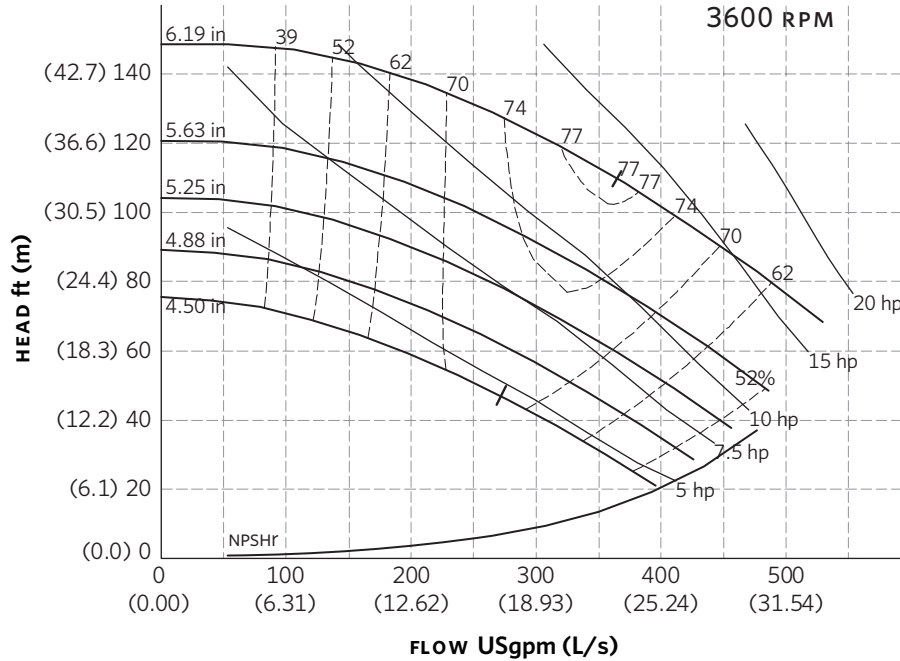
| MOTOR<br>FRAME | HP @ RPM |              |      | MAX. DIMENSIONS inches (mm) |               |                |                |                |                | WEIGHT         |                |
|----------------|----------|--------------|------|-----------------------------|---------------|----------------|----------------|----------------|----------------|----------------|----------------|
|                | 3600     |              |      | E1                          | E2            | P              |                | XY             |                | lbs (kgs)      |                |
|                | ODP/TEFC | 1800         | 1200 |                             |               | ODP            | TEFC           | ODP            | TEFC           | ODP            | TEFC           |
| 143JM          | —        | 1            | —    | 6.12<br>(155)               | 6.12<br>(155) | 8.63<br>(219)  | 7.83<br>(199)  | 17.25<br>(438) | 17.00<br>(432) | 358<br>(162.4) | 362<br>(164.2) |
| 145JM          | —        | —            | 0.75 | 6.12<br>(155)               | 6.12<br>(155) | 8.63<br>(219)  | 7.83<br>(199)  | 17.25<br>(438) | 17.00<br>(432) | 342<br>(155.1) | 352<br>(159.7) |
| 145JM          | —        | 1.5 &<br>2.0 | —    | 6.12<br>(155)               | 6.12<br>(155) | 8.63<br>(219)  | 7.83<br>(199)  | 17.25<br>(438) | 17.00<br>(432) | 376<br>(170.6) | 384<br>(174.2) |
| 182JM          | —        | 3            | —    | 7.50<br>(191)               | 7.50<br>(191) | 10.38<br>(264) | 9.50<br>(241)  | 19.25<br>(489) | 20.00<br>(508) | 382<br>(173.3) | 460<br>(208.7) |
| 182JM          | 5        | —            | —    | 7.50<br>(191)               | 7.50<br>(191) | 10.38<br>(264) | 9.50<br>(241)  | 19.25<br>(489) | 20.00<br>(508) | 386<br>(175.1) | 484<br>(219.5) |
| 184JM          | 7.5      | —            | —    | 7.50<br>(191)               | 7.50<br>(191) | 10.38<br>(264) | 9.50<br>(241)  | 19.25<br>(489) | 20.00<br>(508) | 408<br>(185.1) | 550<br>(249.5) |
| 213JM          | 10       | —            | —    | 8.25<br>(210)               | 8.25<br>(210) | 12.13<br>(308) | 11.13<br>(283) | 21.63<br>(549) | 23.50<br>(597) | 488<br>(221.4) | 592<br>(268.5) |
| 215JM          | 15       | —            | —    | 8.25<br>(210)               | 8.25<br>(210) | 12.13<br>(308) | 11.13<br>(283) | 21.63<br>(549) | 23.50<br>(597) | 566<br>(256.7) | 778<br>(352.9) |

**PUMP DIMENSIONS**  
inches (mm)

| B1    | B2    | C1    | C2    | D1    | D2    | SD    | T     |
|-------|-------|-------|-------|-------|-------|-------|-------|
| 6.81  | 6.81  | 12.13 | 12.63 | 13.84 | 13.84 | 26.63 | 5.80  |
| (173) | (173) | (308) | (321) | (352) | (352) | (676) | (147) |



## SERIES 4382 PERFORMANCE CURVES



Performance curves are for reference only.  
Confirm current performance data with Armstrong ACE ONLINE selection software.

**TORONTO**

23 BERTRAND AVENUE  
TORONTO, ONTARIO  
CANADA  
M1L 2P3  
+416 755 2291

**BUFFALO**

93 EAST AVENUE  
NORTH TONAWANDA, NEW YORK  
U.S.A.  
14120-6594  
+716 693 8813

**BIRMINGHAM**

HEYWOOD WHARF, MUCKLOW HILL  
HALESOWEN, WEST MIDLANDS  
UNITED KINGDOM  
B62 8DJ  
+44 (0) 8444 145 145

**MANCHESTER**

WOLVERTON STREET  
MANCHESTER  
UNITED KINGDOM  
M11 2ET  
+44 (0) 8444 145 145

**BANGALORE**

#59, FIRST FLOOR, 3RD MAIN  
MARGOSA ROAD, MALLESWARAM  
BANGALORE, INDIA  
560 003  
+91 (0) 80 4906 3555

**SHANGHAI**

NO. 1619 HU HANG ROAD, XI DU TOWNSHIP  
FENG XIAN DISTRICT, SHANGHAI  
P.R.C.  
201401  
+86 21 3756 6696

**MAKING  
ENERGY  
MAKE  
SENSE™**