

SERIES 4382 | VERTICAL IN-LINE DUALARM CLOSED-COUPLED | 8 × 8 × 11.5 | SUBMITTAL

File No: 43D-740
Date: DECEMBER 4, 2014
Supersedes: 43D-740
Date: SEPTEMBER 10, 2012

Job: _____ Representative: _____
 _____ Order no.: _____ Date: _____
 Engineer: _____ Submitted by: _____ Date: _____
 Contractor: _____ Approved by: _____ Date: _____

PUMP DESIGN DATA

No. of pumps: _____ Tag: _____
 Capacity: _____ USgpm (L/s) Head: _____ ft (m)
 Liquid: _____ Viscosity: _____
 Temperature: _____ °F (°C) Specific gravity: _____
 Suction: 8" (200mm) Discharge: 8" (200mm)

MOTOR DESIGN DATA

HP: _____ RPM: _____ Frame size: _____ Enclosure: _____
 Volts: _____ Hertz: 60 Hz Phase: 3
 Efficiency: Energy EFF 12.11 NEMA premium 12.12

MATERIALS OF CONSTRUCTION

ANSI FLANGE RATING	ANSI 125	ANSI 250
Construction	<input type="checkbox"/> BF	<input type="checkbox"/> DBF
Casing	Cast iron	Ductile iron
Adapter	Cast iron	Ductile iron

Impeller: Bronze
Gasket: Confined non-asbestos fiber
Shaft: Carbon steel
Shaft sleeve: Bronze
Flush line: Braided stainless steel

MAXIMUM PUMP OPERATING CONDITIONS

ANSI 125
 175 psig at 150°F (12 bars at 65°C)
 140 psig at 250°F (10 bars at 121°C)
ANSI 250
 250 psig at 150°F (17 bars at 65°C)
 250 psig at 250°F (17 bars at 121°C)

- Coupling guard (not shown) is supplied
- See performance curves on page 3
- For exact installation, data please write factory for certified dimensions

MECHANICAL SEAL DATA

Seal type: 2A
Stationary seat: Silicone carbide
Secondary seal: EPDM
Rotating hardware: Stainless steel
Spring: Stainless steel

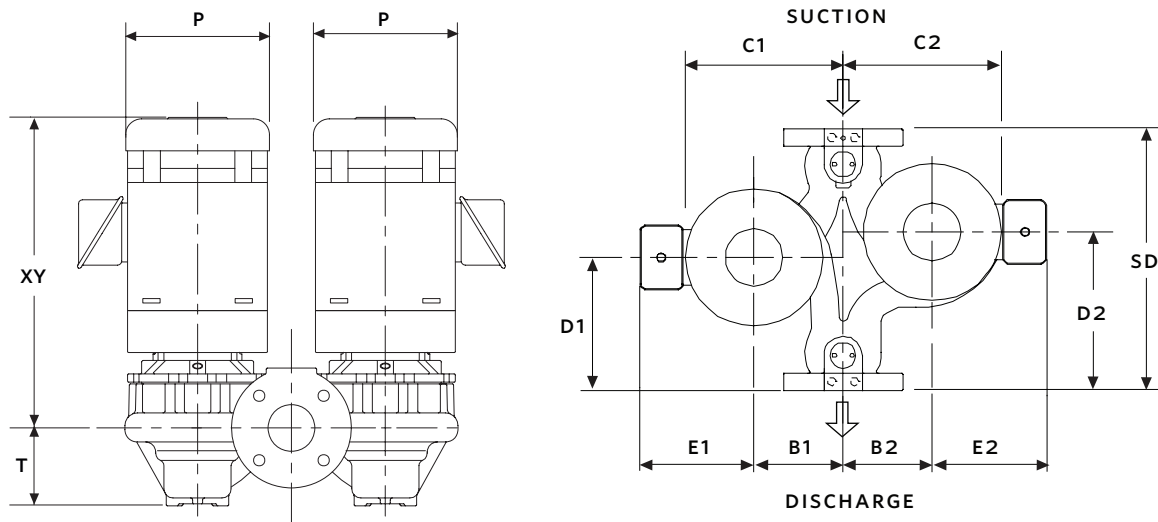
OPTIONAL EQUIPMENT

FLUID TYPE	ALL GLYCOLS > 30% WT CONC		ALL OTHER NON-POTABLE FLUIDS		POTABLE (DRINKING) WATER	
	up to 200°F (93°C)	over 200°F (93°C)	up to 200°F (93°C)	over 200°F (93°C)	up to 200°F (93°C)	over 200°F (93°C)
Temperature	up to 200°F (93°C)	over 200°F (93°C)	up to 200°F (93°C)	over 200°F (93°C)	up to 200°F (93°C)	over 200°F (93°C)
Rotating face	Silicone carbide		Resin bonded carbon	Antimony loaded carbon	Resin bonded carbon	
Seat elastomer	EPDM (L-cup)	EPDM (O-ring)	EPDM (L-cup)	EPDM (O-ring)	EPDM (L-cup)	EPDM (O-ring)
Material code	SCSc L EPSS 2A	SCSc O EPSS 2A	C-SC L EPSS 2A	ACSc O EPSS 2A	C-SC L EPSS 2A	C-SC O EPSS 2A

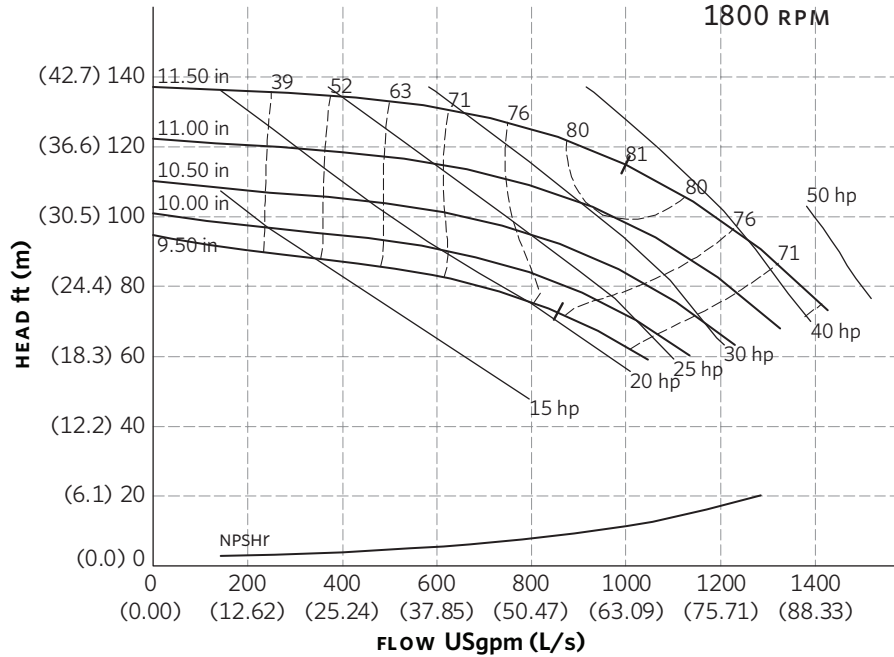
MOTOR FRAME	HP @ RPM		MAX. DIMENSIONS inches (mm)								WEIGHT	
	1800	1200	E1		E2		P		XY		lbs (kgs)	
			ODP	TEFC	ODP	TEFC	ODP	TEFC	ODP	TEFC	ODP	TEFC
254JM/JP	—	7.5	10.75 (273)	9.94 (252)	10.75 (273)	9.94 (252)	13.50 (343)	13.38 (340)	23.00 (584)	27.13 (689)	1050 (476.3)	1448 (656.8)
256JM/JP	—	10.0	10.75 (273)	9.94 (252)	10.75 (273)	9.94 (252)	13.50 (343)	13.38 (340)	23.00 (584)	27.13 (689)	1426 (646.8)	1502 (681.3)
284JM/JP	25	—	12.63 (321)	10.81 (275)	12.63 (321)	10.81 (275)	15.00 (381)	13.38 (340)	27.00 (686)	30.88 (784)	1508 (684.0)	1742 (790.2)
286JM/JP	30	—	12.63 (321)	10.81 (275)	12.63 (321)	10.81 (275)	15.00 (381)	13.38 (340)	27.00 (686)	30.88 (784)	1680 (762.0)	1804 (818.3)
324JM/JP	40	—	15.13 (384)	14.06 (357)	15.13 (384)	14.06 (357)	18.25 (464)	16.75 (425)	30.00 (762)	33.53 (852)	1872 (849.1)	1954 (886.3)
326JM/JP	50	—	15.13 (384)	14.06 (357)	15.13 (384)	14.06 (357)	18.25 (464)	16.75 (425)	30.00 (762)	33.53 (852)	2048 (929.0)	2042 (926.2)

PUMP DIMENSIONS
inches (mm)

B1	B2	C1	C2	D1	D2	SD	T
10.50	11.00	20.10	20.23	25.48	20.65	46.94	8.80
(267)	(279)	(511)	(514)	(647)	(525)	(1192)	(224)



SERIES 4382 PERFORMANCE CURVES



Curve number
PT529-0-0-1800

Series
4302
4382

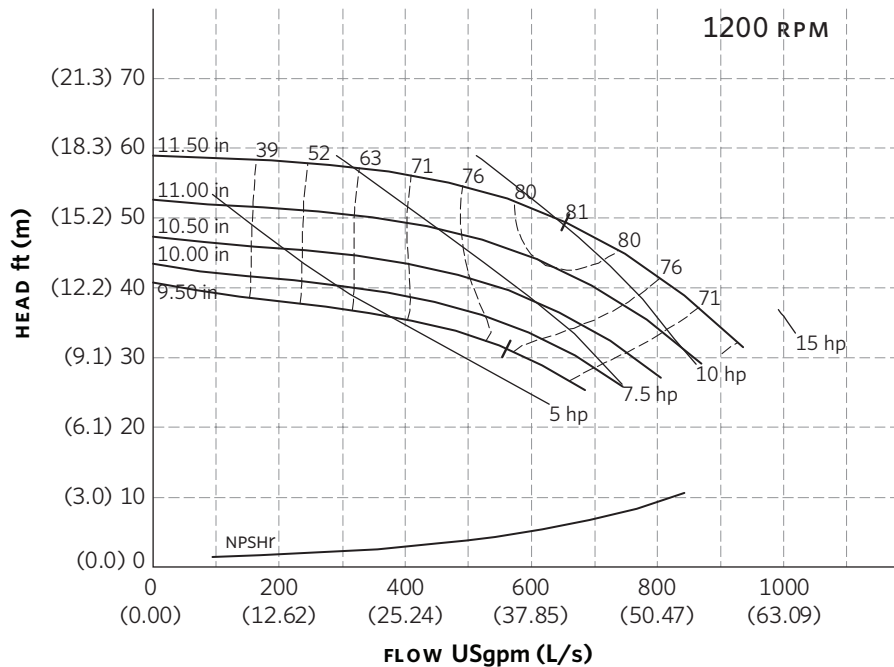
Size
8 × 8 × 11.5

RPM
1800

BHP based on shown
Fluid's sp. gr.

Availability
4302 all ratings
4382 all ratings

Performance
guaranteed only
at operating point
indicated.
Curve shown for
clear, cold water
- SP. GR. 1.0000



Curve number
PT529-0-0-1200

Series
4302
4382

Size
8 × 8 × 11.5

RPM
1200

BHP based on shown
Fluid's sp. gr.

Availability
4302 all ratings
4382 all ratings

Performance
guaranteed only
at operating point
indicated.
Curve shown for
clear, cold water
- SP. GR. 1.0000

Performance curves are for reference only.
Confirm current performance data with Armstrong ACE ONLINE selection software.

TORONTO

23 BERTRAND AVENUE
TORONTO, ONTARIO
CANADA
M1L 2P3
+416 755 2291

BUFFALO

93 EAST AVENUE
NORTH TONAWANDA, NEW YORK
U.S.A.
14120-6594
+716 693 8813

BIRMINGHAM

HEYWOOD WHARF, MUCKLOW HILL
HALESOWEN, WEST MIDLANDS
UNITED KINGDOM
B62 8DJ
+44 (0) 8444 145 145

MANCHESTER

WOLVERTON STREET
MANCHESTER
UNITED KINGDOM
M11 2ET
+44 (0) 8444 145 145

BANGALORE

#59, FIRST FLOOR, 3RD MAIN
MARGOSA ROAD, MALLESWARAM
BANGALORE, INDIA
560 003
+91 (0) 80 4906 3555

SHANGHAI

NO. 1619 HU HANG ROAD, XI DU TOWNSHIP
FENG XIAN DISTRICT, SHANGHAI
P.R.C.
201401
+86 21 3756 6696

**MAKING
ENERGY
MAKE
SENSE™**