

AGE4D CIRCULATOR | TWIN HEAD VARIABLE SPEED | 65-80 | SUBMITTAL

File No: 10.8600IEC
Date: SEPTEMBER 30, 2022
Supersedes: 10.8600IEC
Date: FEBRUARY 25, 2020

Job: _____ Representative: _____
 _____ Ordered by: _____ Date: _____
 Engineer: _____ Submitted by: _____ Date: _____
 Contractor: _____ Approved by: _____ Date: _____

PUMP DETAILS

| TAG | MODEL | FLOW | HEAD | SYSTEM | LOCATION |
|-----|-------|------|------|--------|----------|
| | | | | | |
| | | | | | |

MOTOR DESIGN DATA

Motor enclosure: IP44
Power supply: 230/1/50
Insulation class: F
Motor efficiency: $EEI \leq 0.22$
Inverter/motor type: ECM/Permanent magnet
Motor speed: Variable speed

ELECTRICAL DATA

| 1x230,50HZ, IEC38 | P1[W] | I [AMPS] |
|-------------------|-------|----------|
| Auto min. | 25 | 2.6 |
| Auto max. | 560 | 3.8 |

ELECTRICAL CONNECTION

Type: 3 wires (L,N,Earth)
Connector: 3 pins connector & cable gland

BMS CONNECTIVITY

Input/output: 1 x analogue I/O, 1 x digital I/O and 2 x relay
Serial communication: Modbus RTU, Modbus TCP/IP, BACnet MS/TP

MATERIALS OF CONSTRUCTION

Impeller: PES
Casing gasket: EPDM 70 Shore
Bearings: Graphite
Pump casing: Cast iron
Shaft: Stainless steel
Can: Stainless steel

MECHANICAL CONNECTION

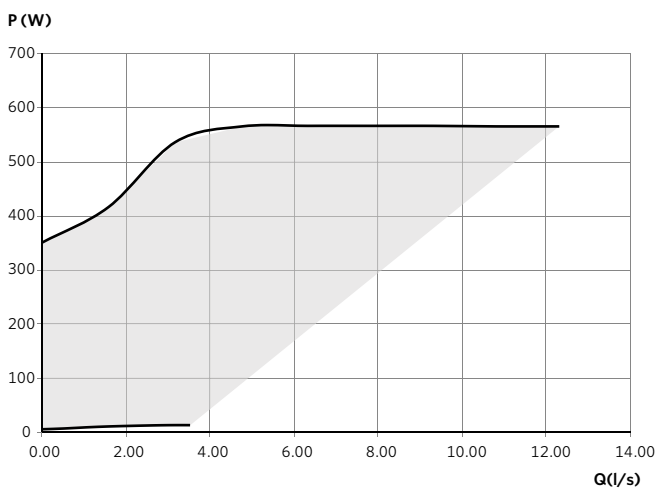
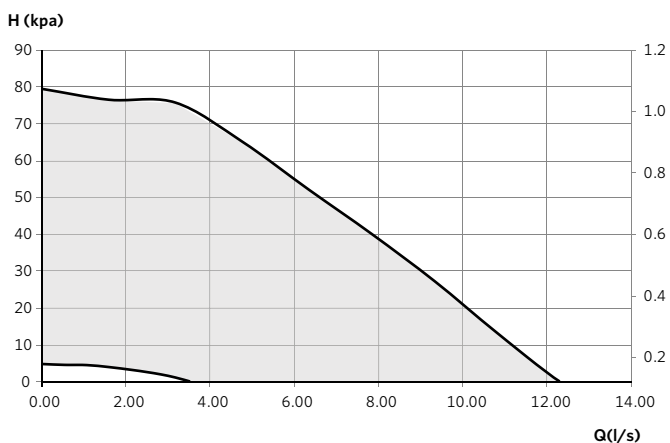
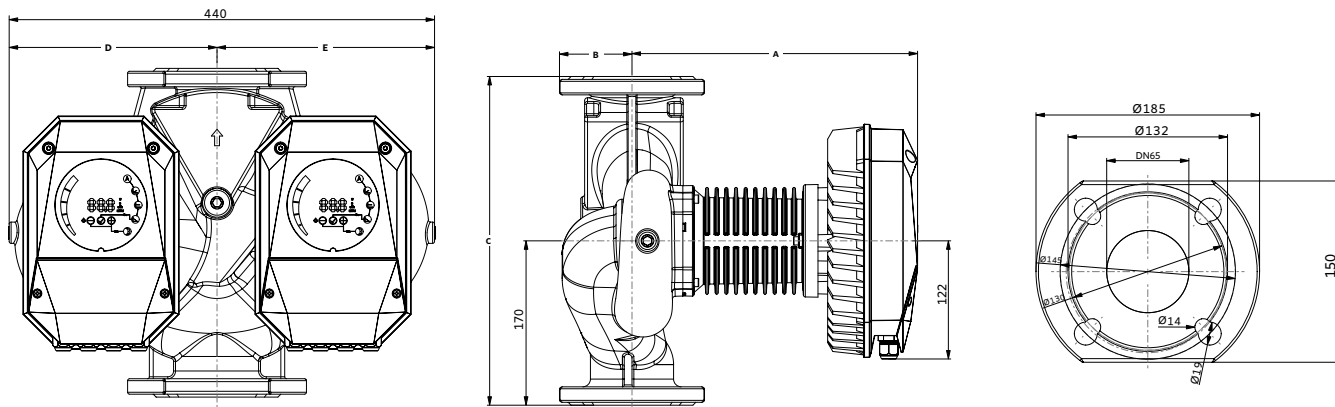
Type: Flanged
Pressure rating: PN10
Size: DN65

ENVIRONMENT LIMIT DATA

Water temp max: 110°C
Water temp min : 2°C
Ambient temp. max: 40°C
Min. pressure: 0.05 bar < 75°C,
 0.28 bar < 90°C

DIMENSIONS

| A | B | C | D | E | WEIGHT |
|-------------|-----------|-------------|------------|------------|-----------|
| mm (inches) | | | | | kg (lbs) |
| 297 (11.69) | 75 (2.95) | 340 (13.39) | 215 (8.46) | 225 (8.86) | 35.9 (79) |



TORONTO
+1 416 755 2291

BUFFALO
+1 716 693 8813

DROITWICH SPA
+44 8444 145 145

MANCHESTER
+44 8444 145 145

BANGALORE
+91 80 4906 3555

SHANGHAI
+86 21 5237 0909

BEIJING
+86 21 5237 0909

SÃO PAULO
+55 11 4785 1330

LYON
+33 4 26 83 78 74

DUBAI
+971 4 887 6775

MANNHEIM
+49 621 3999 9858

JIMBOLIA
+40 256 360 030