



FILE NO: 81.562
 DATE: Oct. 18, 2010
 SUPERSEDES: 81.562
 DATE: Aug. 29, 2003

Series 4200V
Split-Coupled Vertical End Suction

3 x 2.5 x 6

SUBMITTAL

JOB: _____ REPRESENTATIVE: _____

 ENGINEER: _____ ORDER NO: _____ DATE: _____
 SUBMITTED BY: _____ DATE: _____
 CONTRACTOR: _____ APPROVED BY: _____ DATE: _____

PUMP DESIGN DATA			
NO. OF PUMPS:			
TAG:			
CAPACITY:	USgpm (L/s)	HEAD:	ft. (m)
LIQUID:		VISCOSITY:	
TEMPERATURE:		SPECIFIC GRAVITY:	

MOTOR DESIGN DATA			
HP:			RPM: 3600
FRAME SIZE:	ENCLOSURE:		
VOLTS:	HERTZ: 60 Hz	PHASE:	
EFFICIENCY:	<input type="checkbox"/> EPAct / NRcan	<input type="checkbox"/> PREMIUM	LEVEL: %
FLANGE SIZE:	SUCTION: 3" (75 mm)	DISCHARGE: 2.5" (62 mm)	

MATERIALS OF CONSTRUCTION	
ANSI Flange Rating	125 lb. Cast Iron
Construction	Bronze-Fitted
Casing	Cast Iron
Impeller	Bronze
Flush Line	Copper
Pump Shaft	416 Stainless Steel
Coupling	High Tensile Aluminum
Gasket	Confined Non-Asbestos

MECHANICAL SEAL DESIGN DATA

See File No. 43.50 for standard mechanical seal details as indicated below

Armstrong Seal Reference Number

C1 (a) Other _____

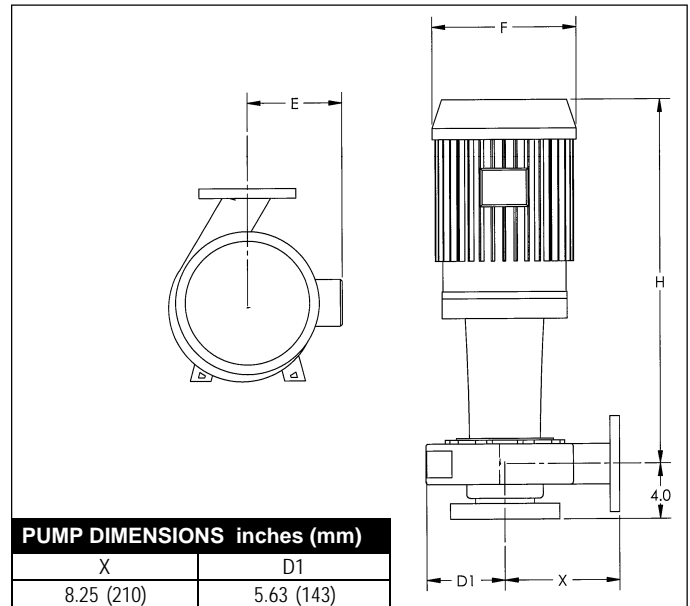
SEAL DATA OPTIONS

MAX. PUMP OPERATING CONDITIONS	
125 lb. Cast Iron	175 psig at 140°F (12 bars at 60°C) 100 psig at 300°F (7 bars at 149°C)
SEE FILE NO. 43.50 FOR MAXIMUM SEAL OPERATING CONDITIONS	

OPTIONAL EQUIPMENT

SEE FILE NO. 43.50 FOR ENVIRONMENTAL ACCESSORIES

- COUPLING GUARD (NOT SHOWN) IS SUPPLIED.
- TOLERANCE OF ±0.125" (±3 mm) SHOULD BE USED.
- FOR EXACT INSTALLATION DATA PLEASE WRITE FACTORY FOR CERTIFIED DIMENSIONS.
- SEE PERFORMANCE CURVES ON PAGE 2.
- PUMP EQUIPPED WITH CASING DRAIN PLUG AND 1/4" NPT SUCTION AND DISCHARGE GAUGE PORTS



MOTOR HORSEPOWER			MAX. MOTOR DIMENSIONS inches (mm)						ASSEMBLY WEIGHT*	
ODP	TEFC	Frame	E		F		H		lbs. (kg)	
			ODP	TEFC	ODP	TEFC	ODP	TEFC	ODP	TEFC
3600	3600									
5 & 7.5	5	184	7.00 (178)	7.00 (178)	9.50 (241)	9.50 (241)	27.63 (702)	28.63 (727)	190 (86)	210 (95)
---	7.5	213	7.00 (178)	10.00 (254)	9.50 (241)	12.00 (305)	27.63 (702)	36.63 (930)	200 (91)	245 (111)
10 & 15	10	215	9.38 (238)	10.00 (254)	10.88 (276)	12.00 (305)	29.25 (749)	29.25 (749)	230 (104)	260 (118)
---	15	254	9.38 (238)	11.25 (286)	10.88 (276)	14.00 (356)	29.25 (749)	41.63 (1057)	240 (109)	330 (150)

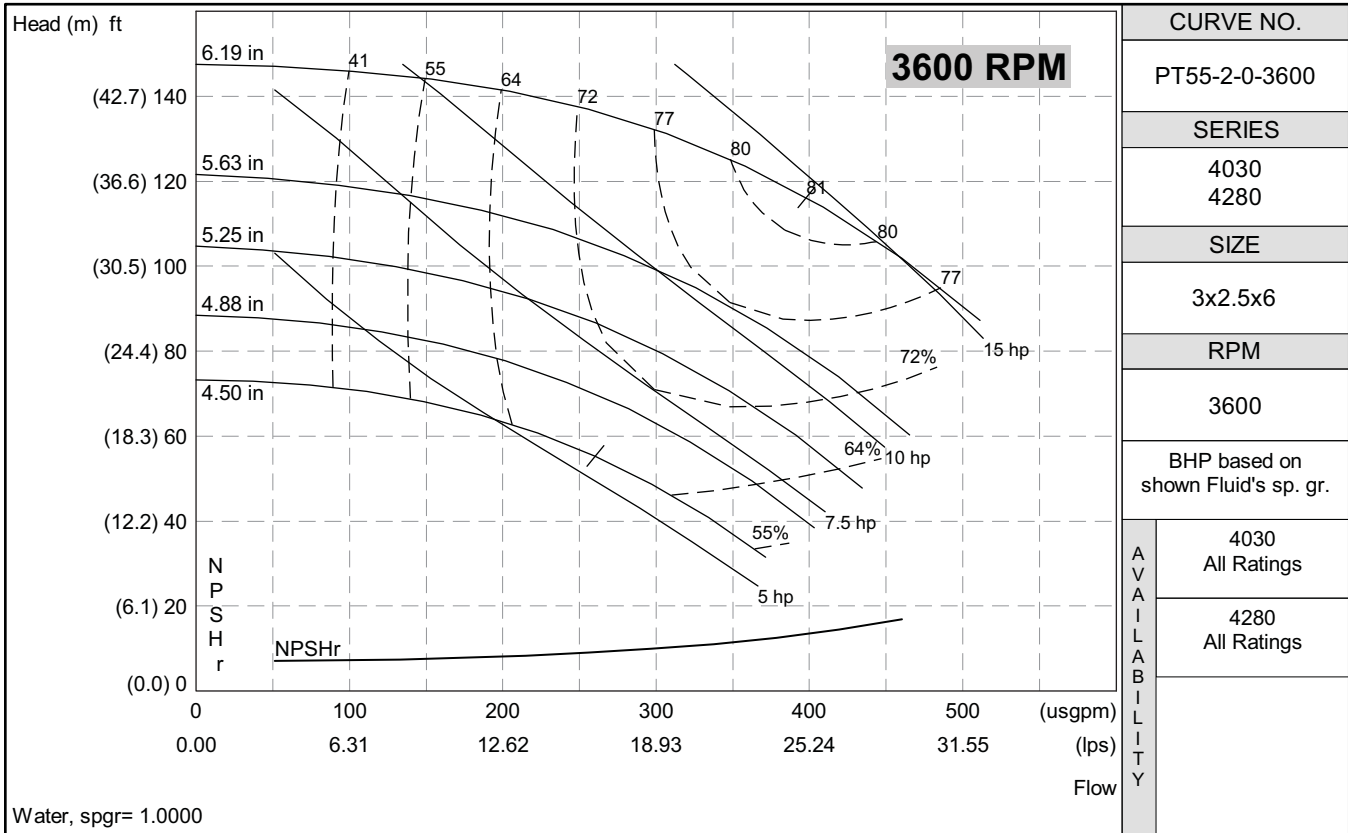
*Assembly weight combines pump and motor.



PERFORMANCE CURVES

Performance Guaranteed Only At Operating Point Indicated

CURVE SHOWN FOR CLEAR, COLD WATER - SP. GR. 1.0



CURVE NO.	
PT55-2-0-3600	
SERIES	
4030 4280	
SIZE	
3x2.5x6	
RPM	
3600	
BHP based on shown Fluid's sp. gr.	
A V A I L A B I L I T Y	4030 All Ratings
	4280 All Ratings

S. A. Armstrong Limited
 23 Bertrand Avenue
 Toronto, Ontario
 Canada, M1L 2P3
 T: (416) 755-2291
 F (Main): (416) 759-9101

Armstrong Pumps Inc.
 93 East Avenue
 North Tonawanda, New York
 U.S.A. 14120-6594
 T: (716) 693-8813
 F: (716) 693-8970

Armstrong Integrated Limited
 Wenlock Way
 Manchester
 United Kingdom, M12 5JL
 T: +44 (0) 8444 145 145
 F: +44 (0) 8444 145 146



© S.A. Armstrong Limited 2010

For Armstrong locations worldwide, please visit www.armstrongintegrated.com