

ARMSTRONG®

Series 4200V Split-Coupled Vertical End Suction

4 x 3 x 8

SUBMITTAL

FILE NO:	81.566
DATE:	Aug. 29, 2003
SUPERSEDES:	New
DATE:	New

JOB: _____	REPRESENTATIVE: _____
ENGINEER: _____	ORDER NO: _____ DATE: _____
CONTRACTOR: _____	SUBMITTED BY: _____ DATE: _____
	APPROVED BY: _____ DATE: _____

PUMP DESIGN DATA

NO. OF PUMPS:			
TAG:			
CAPACITY:	USgpm (L/s)	HEAD:	ft. (m)
LIQUID:	VISCOSITY:		
TEMPERATURE:	SPECIFIC GRAVITY:		

MOTOR DESIGN DATA

HP:	RPM: 1800		
FRAME SIZE:	ENCLOSURE:		
VOLTS:	HERTZ: 60 Hz	PHASE:	
EFFICIENCY:	<input type="checkbox"/> EPM / NRcan	<input type="checkbox"/> PREMIUM	LEVEL: %
FLANGE SIZE:	SUCTION: 4" (100 mm)	DISCHARGE: 3" (75 mm)	

MATERIALS OF CONSTRUCTION

ANSI Flange Rating	125 lb. Cast Iron
Construction	Bronze-Fitted
Casing	Cast Iron
Impeller	Bronze
Flush Line	Copper
Pump Shaft	416 Stainless Steel
Coupling	High Tensile Aluminum
Gasket	Confined Non-Asbestos

MECHANICAL SEAL DESIGN DATA

See File No. 43.50 for standard mechanical seal details as indicated below

Armstrong Seal Reference Number

C1 (a) Other _____

SEAL DATA OPTIONS

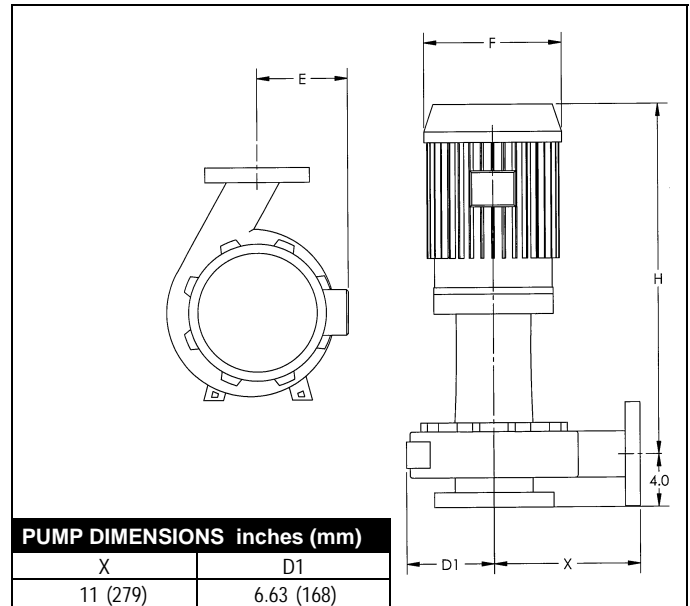
MAX. PUMP OPERATING CONDITIONS

125 lb. Cast Iron	175 psig at 140°F (12 bars at 60°C) 100 psig at 300°F (7 bars at 149°C)
SEE FILE NO. 43.50 FOR MAXIMUM SEAL OPERATING CONDITIONS	

OPTIONAL EQUIPMENT

SEE FILE NO. 43.50 FOR ENVIRONMENTAL ACCESSORIES

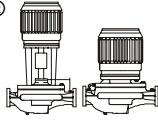
- COUPLING GUARD (NOT SHOWN) IS SUPPLIED.
- TOLERANCE OF ±0.125" (±3 mm) SHOULD BE USED.
- FOR EXACT INSTALLATION DATA PLEASE WRITE FACTORY FOR CERTIFIED DIMENSIONS.
- SEE PERFORMANCE CURVES ON PAGE 2.
- PUMP EQUIPPED WITH CASING DRAIN PLUG AND 1/4" NPT SUCTION AND DISCHARGE GAUGE PORTS



MOTOR HORSEPOWER			MAX. MOTOR DIMENSIONS inches (mm)						ASSEMBLY WEIGHT*	
ODP	TEFC	Frame	E		F		H		lbs. (kg)	
			ODP	TEFC	ODP	TEFC	ODP	TEFC	ODP	TEFC
1800	1800									
3	3	182	7.00 (178)	7.00 (178)	9.50 (241)	9.50 (241)	27.63 (702)	27.63 (702)	235 (107)	260 (118)
5	5	184	7.00 (178)	7.00 (178)	9.50 (241)	9.50 (241)	27.63 (702)	28.63 (727)	250 (114)	270 (123)
7.5	7.5	213	9.38 (238)	10.00 (254)	10.88 (276)	12.00 (305)	29.25 (749)	36.63 (930)	260 (118)	305 (138)

*Assembly weight combines pump and motor.

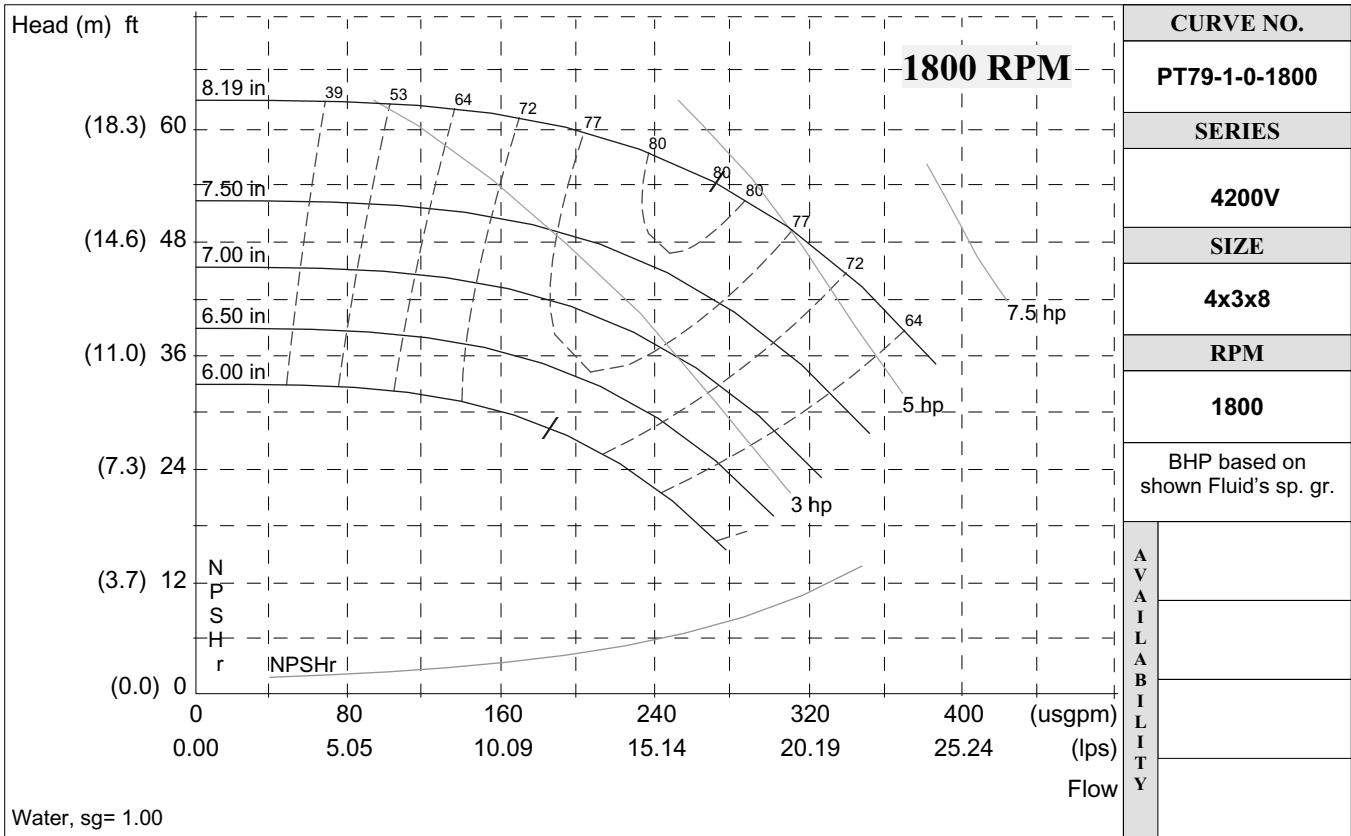
ARMSTRONG®



PERFORMANCE CURVES

Performance Guaranteed Only At Operating Point Indicated

CURVE SHOWN FOR CLEAR, COLD WATER - SP. GR. 1.0



CURVE NO.	PT79-1-0-1800
SERIES	4200V
SIZE	4x3x8
RPM	1800
BHP based on shown Fluid's sp. gr.	
A	
V	
A	
I	
L	
A	
B	
I	
L	
I	
T	
I	
T	

Armstrong Pumps Inc.
 93 East Avenue
 North Tonawanda, New York
 U.S.A. 14120-6594
 Tel: (716) 693-8813
 Fax: (716) 693-8970

S.A. Armstrong Limited
 23 Bertrand Avenue
 Toronto, Ontario
 Canada, M1L 2P3
 Tel: (416) 755-2291
 Fax: (416) 759-9101



Armstrong Pumps Limited
 Peartree Road, Stanway
 Colchester, Essex
 United Kingdom, CO3 0LP
 Tel: +44 (0) 1206 579491
 Fax: +44 (0) 1206 760532

Armstrong Darling
 9001 De L'Innovation, Suite 200
 Montreal, Quebec
 Canada, H1J 2X9
 Tel: (514) 352-2424
 Fax: (514) 352-2425

