

## E.2 SERIES CIRCULATORS

### E10.2/E10.2B | SUBMITTAL

File No: 10.593  
 Date: MAY 03, 2022  
 Supersedes: 10.593  
 Date: JULY 25, 2018

Job: \_\_\_\_\_ Representative: \_\_\_\_\_  
 \_\_\_\_\_ Order no.: \_\_\_\_\_ Date: \_\_\_\_\_  
 Engineer: \_\_\_\_\_ Submitted by: \_\_\_\_\_ Date: \_\_\_\_\_  
 Contractor: \_\_\_\_\_ Approved by: \_\_\_\_\_ Date: \_\_\_\_\_

QUANTITY	TAG NO.	PART NUMBER	FLOW (USgpm)	HEAD (FEET)	VOLTAGE	PHASE	COMMENTS

#### TECHNICAL DATA

**Flow range:** 0 to 43.0 USgpm (0 to 2.7 L/s)  
**Head range:** 0 to 28.0 feet (0 to 8.5 m)  
**Max/Min fluid temp:** 230°F/32°F (110°C/ 0°C)  
**Max. working pressure:** 150 psi (1034 kPa)

#### MATERIALS OF CONSTRUCTION

**Pump body:** Cast iron (closed systems)  
 Bronze (lead free for open systems)

**Face plate:** Stainless steel      **Shaft:** Stainless steel

**Impeller:** 30% Glass-filled noryl      **Volute gasket:** EPDM

**Bearings:** Permanently lubricated stainless steel

**Seal:** Silicon carbide enviroseal c/w viton elastomer

All Bronze Circulators are NSF - 372 rated

#### PART NUMBER

	120V	240V
<b>E10.2</b>	182202-649	182202-661
<b>E10.2B</b>	182202-650	182202-662

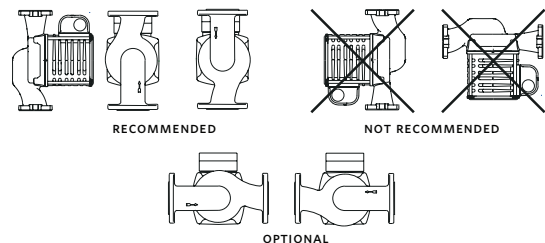
#### E10.2/E10.2B ACCESSORIES

- 1" Flange kits
- 1½" Flange kits
- 1½" Flange kits
- Timer
- Aquastat

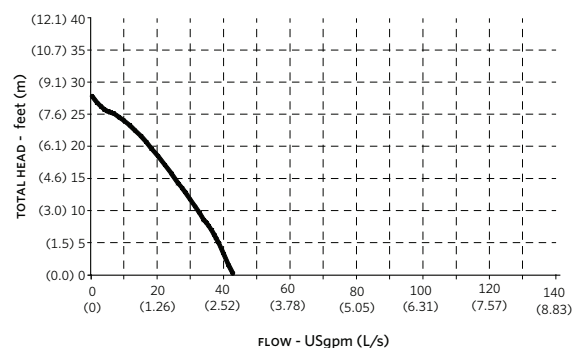
#### MOTOR DATA

<b>Voltage</b>	120V	240V
<b>Full load amp draw</b>	2.0A	1.0A
<b>Nominal power:</b> ¼ hp (125W)	<b>Frequency:</b> 60 Hz	
<b>Motor type:</b> Two pole, Single phase	<b>Speed:</b> 3300 rpm	

#### MOUNTING ORIENTATION FOR INDOOR USE ONLY

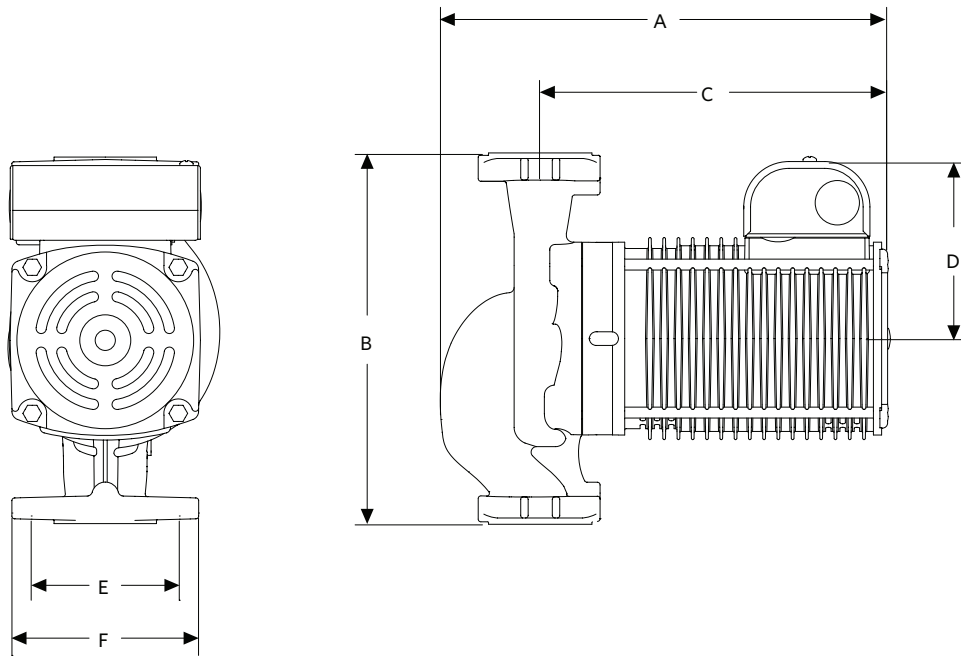


#### PERFORMANCE CURVE



Performance curves are for reference only. Confirm current performance data with Armstrong ACE ONLINE selection software.

DIMENSIONS inches (mm)									SHIP. WEIGHT
MODEL	BODY	A	B	C	D	E	F	CASING FLANGE SIZE & TYPE	lbs (kgs)
E10.2	Cast iron	7.50 (191)	8.50 (215)	5.60 (142)	3.80 (97)	3.40 (86)	4.20 (107)	1.5" diameter 2-bolt flanges	15.1 (6.85)
E10.2B	Bronze	7.50 (191)	8.50 (215)	5.60 (142)	3.80 (97)	3.40 (86)	4.20 (107)	1.5" diameter 2-bolt flanges	15.1 (6.85)



TORONTO  
+1 416 755 2291

BUFFALO  
+1 716 693 8813

DROITWICH SPA  
+44 8444 145 145

MANCHESTER  
+44 8444 145 145

BANGALORE  
+91 80 4906 3555

SHANGHAI  
+86 21 5237 0909

SÃO PAULO  
+55 11 4785 1330

LYON  
+33 4 26 83 78 74

DUBAI  
+971 4 887 6775

MANNHEIM  
+49 621 3999 9858

JIMBOLIA  
+40 256 360 030