

FUEL SYSTEM | SINGLE WALL TANK | SUBMITTAL DRAWING

File No: F43-4541
Date: JULY 22, 2024
Supersedes: NEW
Date: NEW

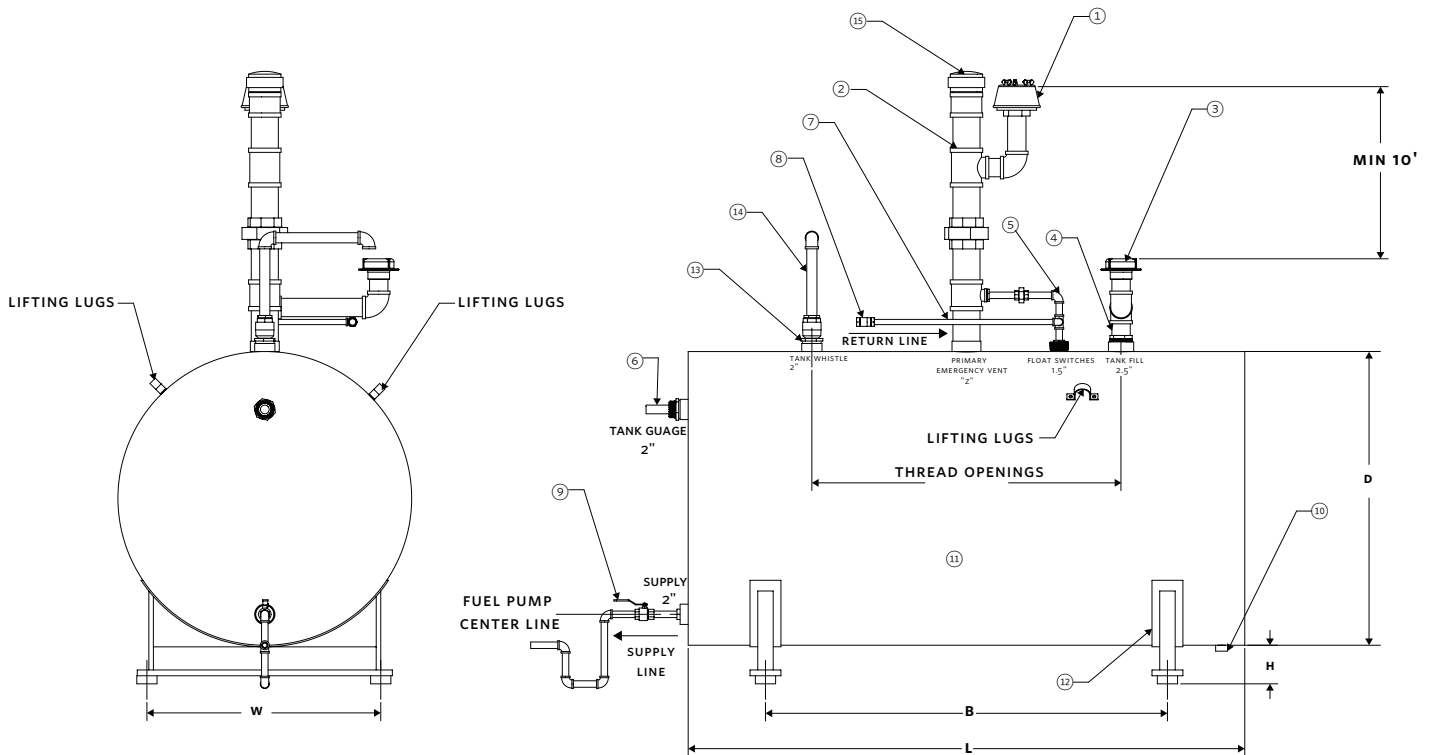
Job: _____ Representative: _____

Order No: _____ Date: _____

Engineer: _____ Submitted by: _____ Date: _____

Contractor: _____ Approved by: _____ Date: _____

NOTE: As per NFPA 20, 2022 section 11.4.1.3.1



LIST OF MATERIALS

| ITEM | DESCRIPTION | PART NUMBER |
|------|---------------------------------|-------------|
| 1* | FLAME ARRESTER | 101345 |
| 2 | VENT PIPE - (REF: Z DIMENSIONS) | By Others |
| 3* | FILL CAP | With Tank |
| 4 | FILL PIPE - 2" (51 mm) | By Others |
| 5 | FUEL LEVEL SWITCH | By Others |
| 6* | LEVEL GAUGE | With Tank |
| 7 | FUEL LINE | By Others |
| 8* | CHECK VALVE | D975040-701 |

| ITEM | DESCRIPTION | PART NUMBER |
|------|------------------------------|-------------|
| 9* | MANUAL VALVE (NOTE 1) | D975060-702 |
| 10* | DRAIN PLUG - 1" NPT (NOTE 2) | With Tank |
| 11* | FUEL TANK (NOTE 4) | With Tank |
| 12* | TANK SUPPORT | With Tank |
| 13* | TANK WHISTLE | D145901-000 |
| 14 | 1¼" VENT PIPE | By Others |
| 15 | EMERGENCY VENT CAP | With Tank |

*Supplied by pump manufacturer

TANK DIMENSIONS AND WEIGHTS

| PART NUMBER | TANK CAPACITY Usgal (ltrs) | DIMENSIONS in inch (mm) | | | | | | WEIGHT lbs. (kg) |
|-------------|-------------------------------|-------------------------|------------|-------------|------------|------------|----------|---------------------|
| | | B | D | H | L | W | Z | |
| D145003-000 | 80(303) | 16.31(414) | 28.00(711) | 4.75(120.7) | 30.51(775) | 24.75(629) | 3.00(75) | 84(38.0) |
| D145003-002 | 100(379) | 24.00(610) | 28.00(711) | 4.75(120.7) | 38.22(971) | 24.75(629) | 3.00(75) | 96(44.0) |

NOTE:

- 1 Manual valve must be locked open or central station supervised.
- 2 A 1" drain valve must be used instead of drain plug when not subject to freezing.
- 3 Tank size as per NFPA20 2022 section 11.4.1.3.1
- 4 Tank is designed, fabricated, tested and labeled per UL 142 & ULCS601-07.
- 5 1¼" and 2" pipe leg and diesel fuel supplied by others.
- 6 Dimensions are not used for construction purposes unless certified. Data subject to change without notice.

TORONTO

+1 416 755 2291

BUFFALO

+1 716 693 8813

DROITWICH SPA

+44 121 550 5333

MANCHESTER

+44 161 223 2223

BANGALORE

+91 80 4906 3555

SHANGHAI

+86 21 5237 0909

BEIJING

+86 21 5237 0909

SÃO PAULO

+55 11 4785 1330

LYON

+33 4 20 10 26 21

DUBAI

+971 4 887 6775

JIMBOLIA

+40 256 360 030

FRANKFURT

+49 6173 999 77 55