

## FUEL SYSTEM | DOUBLE WALL TANK | SUBMITTAL DRAWING

File No: F43.4582  
Date: JULY 22, 2024  
Supersedes: NEW  
Date: NEW

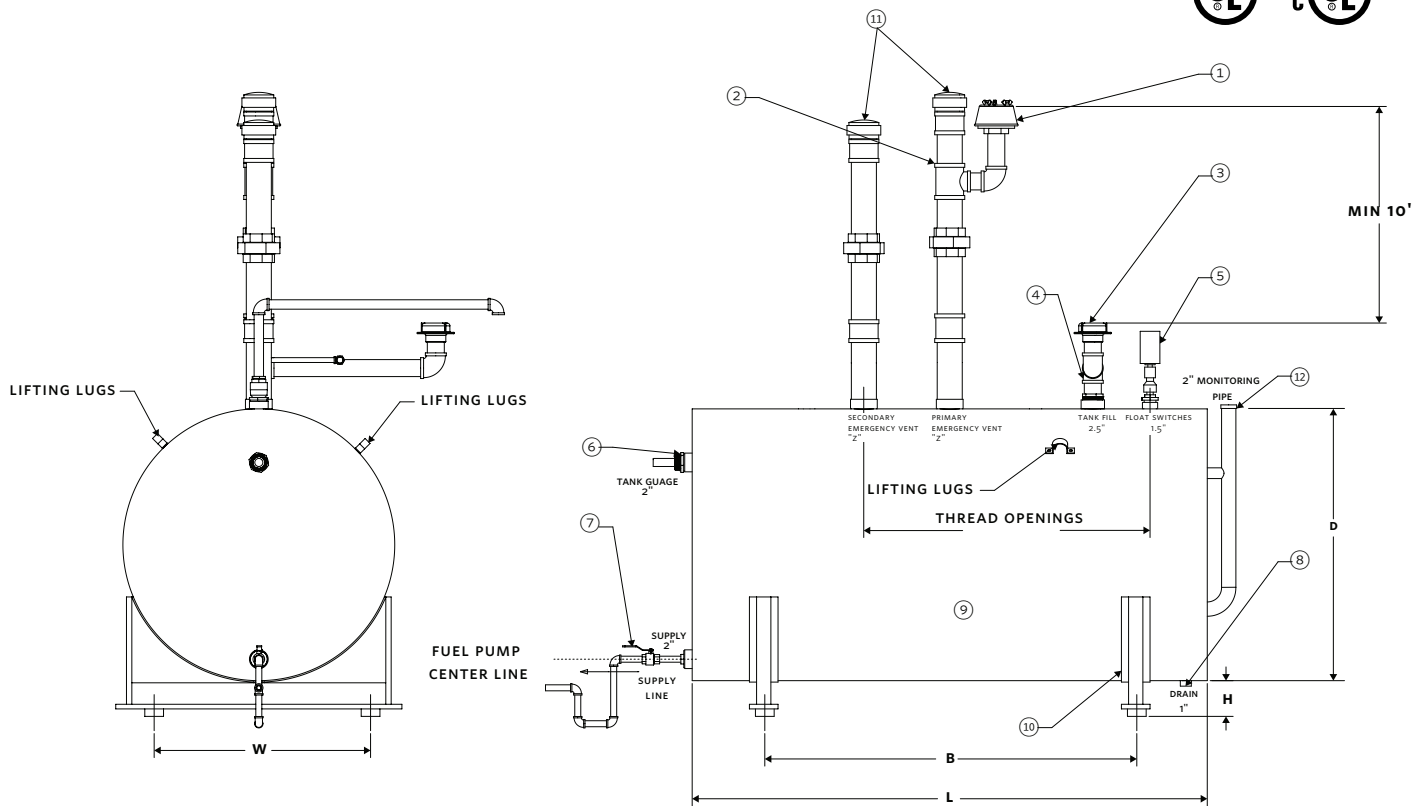
Job: \_\_\_\_\_ Representative: \_\_\_\_\_

Order No: \_\_\_\_\_ Date: \_\_\_\_\_

Engineer: \_\_\_\_\_ Submitted by: \_\_\_\_\_ Date: \_\_\_\_\_

Contractor: \_\_\_\_\_ Approved by: \_\_\_\_\_ Date: \_\_\_\_\_

**NOTE:** As per NFPA 20, 2022 section 11.4.1.3.1



### LIST OF MATERIALS

ITEM	DESCRIPTION	PART NUMBER
1*	FLAME ARRESTER	101345
2	VENT PIPE - (REF: Z DIMENSIONS)	By Others
3*	FILL CAP	With Tank
4	FILL PIPE - 2" (51 mm)	By Others
5	FUEL LEVEL SWITCH	By Others
6*	LEVEL GAUGE	With Tank

ITEM	DESCRIPTION	PART NUMBER
7*	MANUAL VALVE (NOTE 1)	D975060-702
8*	DRAIN PLUG - 1" NPT (NOTE 2)	With Tank
9*	FUEL TANK (NOTE 4)	With Tank
10*	TANK SUPPORT	With Tank
11*	EMERGENCY VENT CAP	With Tank
12*	2" MONITORING PIPE	With Tank

\* Supplied by pump manufacturer

\*\* As per supplier recommendation Tank whistle and fuel return line ports are not available for 100US gallons double fuel tank

**TANK DIMENSIONS AND WEIGHTS**

PART NUMBER	TANK CAPACITY Usgal (ltrs)	DIMENSIONS in inch (mm)						WEIGHT lbs. (kg)
		B	D	H	L	W	Z	
D145004-002	100(379)	24.00(610)	28.00(711)	3.94(100)	38.60(980)	26.75(679)	3.00(75)	111(50.0)

**NOTE:**

- 1 Manual valve must be locked open or central station supervised.
- 2 A 1" drain valve must be used instead of drain plug when not subject to freezing.
- 3 Tank size as per NFPA20 2022 section 11.4.1.3.1
- 4 Tank is designed, fabricated, tested and labeled per UL 142 & ULCS601-07.
- 5 2" pipe leg and diesel fuel supplied by others.
- 6 Dimensions are not used for construction purposes unless certified. Data subject to change without notice.

**TORONTO**

+1 416 755 2291

**BUFFALO**

+1 716 693 8813

**DROITWICH SPA**

+44 121 550 5333

**MANCHESTER**

+44 161 223 2223

**BANGALORE**

+91 80 4906 3555

**SHANGHAI**

+86 21 5237 0909

**BEIJING**

+86 21 5237 0909

**SÃO PAULO**

+55 11 4785 1330

**LYON**

+33 4 20 10 26 21

**DUBAI**

+971 4 887 6775

**JIMBOLIA**

+40 256 360 030

**FRANKFURT**

+49 6173 999 77 55