

Tank Whistle

SUBMITTAL

JOB: _____	REPRESENTATIVE: _____
_____	_____
ENGINEER: _____	ORDER NO: _____ DATE: _____
CONTRACTOR: _____	SUBMITTED BY: _____ DATE: _____
	APPROVED BY: _____ DATE: _____

Exceptional Features
1. Easy to Install
2. Listed by Underwriters Laboratories

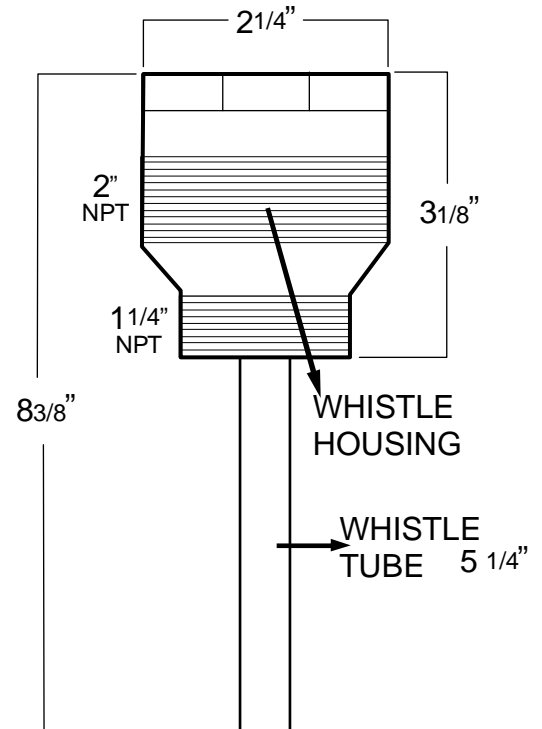
Specification
Vent Pipe Size 1 1/4" NPT
Openings 1 1/4" & 2" Universal
Size 2" x 1 1/4" x 1 1/4"

Function : To Signal when tank is near full

When the tank is being filled, with the whistle in place, a whistling sound is made out through the vent pipe on the tank next to the fill pipe. When the fuel oil reaches the whistle tube the whistling stops, indicating the tank is near full.

Installation

Install in vent opening on fuel oil tank



S. A. Armstrong Limited
 23 Bertrand Avenue
 Toronto, Ontario
 Canada, M1L 2P3
 T: (416) 755-2291
 F (Main): (416) 759-9101

Armstrong Pumps Inc.
 93 East Avenue
 North Tonawanda, New York
 U.S.A. 14120-6594
 T: (716) 693-8813
 F: (716) 693-8970

Armstrong Holden Brooke Pullen
 Wenlock Way
 Manchester
 United Kingdom, M12 5JL
 T: +44 (0) 161 223 2223
 F: +44 (0) 161 220 9660

Armstrong Integrated Systems Limited
 Mucklow Hill
 Halesowen, West Midlands
 United Kingdom, B62 8DJ
 T: +44 (0) 121 550 5333
 F: +44 (0) 121 550 1679

