

**END SUCTION PUMP | SERIES 40PF |
DIESEL DRIVEN | 8×5×11.5FM | SUBMITTAL**

File No: F40.504
Date: AUGUST 10, 2016
Supersedes: F40.55
Date: MARCH 10, 2014

Job: _____ Representative: _____

Order no.: _____ Date: _____

Engineer: _____ Submitted by: _____ Date: _____

Contractor: _____ Approved by: _____ Date: _____

PUMP DESIGN DATA

Flow: _____

Head: _____

ENGINE DESIGN DATA

HP: _____ RPM: _____

Bat. Voltage: _____ Tank size: _____

Other: _____

NOTES

- 1 Std. Discharge flange thickness ansi 250#.
- 2 Coupling guard not shown.
- 3 All dimensions for engine connections are with reference to engine manufacturer's installation drawings.
- 4 Do not use for construction unless certified.

FLANGE RATING

- ANSI 125# STD¹
- ANSI 125# Suction
250# Discharge
- PN 16

FIRE PUMP LISTING

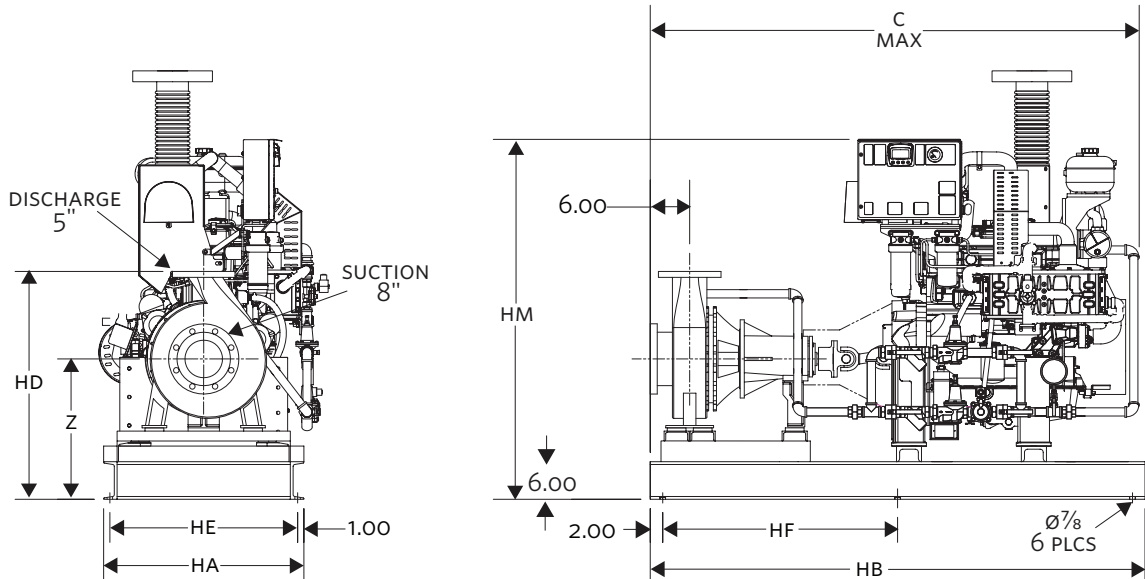
- UL
- ULC
- FM

ACCESSORIES

- Exhaust system
- Fuel system
- Cooling system (mounted on engine)
- Battery system

DIMENSIONS

8x5x11.5FM	END SUCTION PUMP DIESEL DRIVEN	DIMENSIONS inches (mm)								WEIGHT lbs (kg)
		C	HA	HB	HD	HE	HF	HM	Z	
Clarke	JU4H SERIES	84.63 (2150)	32.00 (813)	82.00 (2083)	36.25 (921)	30.00 (762)	39.00 (991)	56.92 (1446)	22.25 (565)	1864 (845.4)
	JU6H SERIES	94.71 (2406)	32.00 (813)	100.00 (2540)	36.25 (921)	30.00 (762)	32.00 (813)	57.20 (1453)	22.25 (565)	2706 (1227.4)
Cummins	CFP33 SERIES	74.74 (1898)	32.00 (813)	82.00 (2083)	35.38 (899)	30.00 (762)	39.00 (991)	40.16 (1020)	21.38 (543)	1670 (757.3)
	CFP59 SERIES	86.06 (2186)	32.00 (813)	95.00 (2413)	36.25 (921)	30.00 (762)	45.50 (1156)	45.94 (1167)	22.25 (565)	2384 (1081.1)
	CFP5E SERIES	84.60 (2149)	32.00 (813)	95.00 (2413)	36.25 (921)	30.00 (762)	45.50 (1156)	46.03 (1169)	22.25 (565)	2268 (1028.7)
	CFP7E SERIES	95.55 (2427)	32.00 (813)	100.00 (2540)	36.25 (921)	30.00 (762)	32.00 (813)	46.03 (1169)	22.25 (565)	2447 (1109.7)



TORONTO
+1 416 755 2291

BUFFALO
+1 716 693 8813

BIRMINGHAM
+44 (0) 8444 145 145

MANCHESTER
+44 (0) 8444 145 145

BANGALORE
+91 (0) 80 4906 3555

SHANGHAI
+86 21 3756 6696

SÃO PAULO
+55 11 4781 5500