

END SUCTION PUMP | SERIES 40PF | ELECTRIC DRIVEN | 5x4x11.5FM | SUBMITTAL

File No: F40.604
Date: AUGUST 10, 2016
Supersedes: F40.611
Date: NOVEMBER 29, 2010

Job: _____ Representative: _____
 _____ Order no.: _____ Date: _____
 Engineer: _____ Submitted by: _____ Date: _____
 Contractor: _____ Approved by: _____ Date: _____

PUMP DESIGN DATA

Flow: _____
 Head: _____

MOTOR DATA

HP: _____ RPM: _____
 Volt: _____ ph: _____ Hz: _____

TAG/REF: _____

SPECIAL STARTING: _____

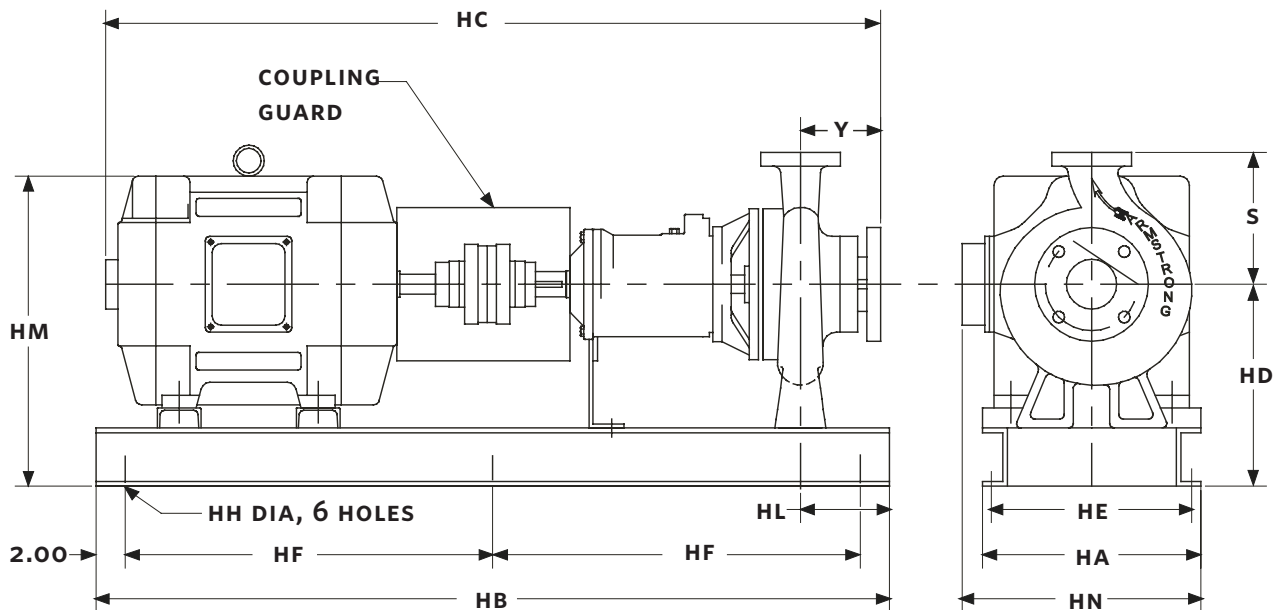
ENCLOSURE: _____

FLANGE RATING

- ANSI 125# STD
- ANSI 250#
- PN16

FIRE PUMP LISTING

- UL
- ULC
- FM



MOTOR FRAME	DIMENSIONS in inches (mm)													WEIGHT in lbs (kgs)
	HA	HB	HC	HD	HE	HF	HH	HL	HM	HN	S	X	Y	
254TS	23.00 (584)	75.00 (1905)	52.49 (1333)	19.18 (487)	21.50 (546)	35.50 (902)	0.88 (22)	6.50 (165)	25.06 (637)	21.20 (538)	12.88 (327)	11.5 (292)	6.00 (152)	999 (453.1)
256TS	23.00 (584)	75.00 (1905)	52.49 (1333)	19.18 (487)	21.50 (546)	35.50 (902)	0.88 (22)	6.50 (165)	25.06 (637)	21.20 (538)	12.88 (327)	11.5 (292)	6.00 (152)	999 (453.1)
284TS	23.00 (584)	75.00 (1905)	52.80 (1341)	19.18 (487)	21.50 (546)	35.50 (902)	0.88 (22)	6.50 (165)	25.40 (645)	23.25 (591)	12.88 (327)	11.5 (292)	6.00 (152)	1202 (545.2)
286TS	23.00 (584)	75.00 (1905)	52.80 (1341)	19.18 (487)	21.50 (546)	35.50 (902)	0.88 (22)	6.50 (165)	25.40 (645)	23.25 (591)	12.88 (327)	11.5 (292)	6.00 (152)	1202 (545.2)
324TS	23.00 (584)	75.00 (1905)	54.80 (1392)	19.18 (487)	21.50 (546)	35.50 (902)	0.88 (22)	6.50 (165)	26.68 (678)	26.13 (664)	12.88 (327)	11.5 (292)	6.00 (152)	1552 (704.0)
326TS	23.00 (584)	75.00 (1905)	54.80 (1392)	19.18 (487)	21.50 (546)	35.50 (902)	0.88 (22)	6.50 (165)	26.68 (678)	26.13 (664)	12.88 (327)	11.5 (292)	6.00 (152)	1552 (704.0)
364TS	23.00 (584)	75.00 (1905)	56.61 (1438)	19.18 (487)	21.50 (546)	35.50 (902)	0.88 (22)	6.50 (165)	27.68 (703)	27.88 (708)	12.88 (327)	11.5 (292)	6.00 (152)	1978 (897.2)
365TS	23.00 (584)	75.00 (1905)	56.61 (1438)	19.18 (487)	21.50 (546)	35.50 (902)	0.88 (22)	6.50 (165)	27.68 (703)	27.88 (708)	12.88 (327)	11.5 (292)	6.00 (152)	1978 (897.2)
404TS	23.00 (584)	75.00 (1905)	60.62 (1540)	19.18 (487)	21.50 (546)	35.50 (902)	0.88 (22)	6.50 (165)	28.68 (728)	27.84 (707)	12.88 (327)	11.5 (292)	6.00 (152)	2063 (935.8)
405TS	23.00 (584)	75.00 (1905)	60.62 (1540)	19.18 (487)	21.50 (546)	35.50 (902)	0.88 (22)	6.50 (165)	28.68 (728)	27.84 (707)	12.88 (327)	11.5 (292)	6.00 (152)	2063 (935.8)
444TS	23.00 (584)	75.00 (1905)	69.65 (1769)	19.18 (487)	21.50 (546)	35.50 (902)	0.88 (22)	6.50 (165)	30.89 (785)	30.71 (780)	12.88 (327)	11.5 (292)	6.00 (152)	2675 (1213.4)
445TS	23.00 (584)	75.00 (1905)	69.65 (1769)	19.18 (487)	21.50 (546)	35.50 (902)	0.88 (22)	6.50 (165)	30.89 (785)	30.71 (780)	12.88 (327)	11.5 (292)	6.00 (152)	2675 (1213.4)
447TS	23.00 (584)	75.00 (1905)	73.17 (1859)	19.18 (487)	21.50 (546)	35.50 (902)	0.88 (22)	6.50 (165)	30.89 (785)	30.87 (784)	12.88 (327)	11.5 (292)	6.00 (152)	2905 (1317.7)
449TS	23.00 (584)	75.00 (1905)	80.85 (2054)	19.18 (487)	21.50 (546)	35.50 (902)	0.88 (22)	6.50 (165)	31.21 (793)	31.55 (801)	12.88 (327)	11.5 (292)	6.00 (152)	2905 (1317.7)

TORONTO
+1 416 755 2291

BUFFALO
+1 716 693 8813

BIRMINGHAM
+44 (0) 8444 145 145

MANCHESTER
+44 (0) 8444 145 145

BANGALORE
+91 (0) 80 4906 3555

SHANGHAI
+86 21 3756 6696

SÃO PAULO
+55 11 4781 5500