

**HORIZONTAL SPLIT CASE PUMP | SERIES 4600F |**  
**DIESEL DRIVEN | 12x8x20F | SUBMITTAL**

File No: F46.5682  
Date: NOVEMBER 18, 2023  
Supersedes: F46.5682  
Date: JULY 18, 2023

Job: \_\_\_\_\_ Representative: \_\_\_\_\_  
\_\_\_\_\_ Order no.: \_\_\_\_\_ Date: \_\_\_\_\_  
Engineer: \_\_\_\_\_ Submitted by: \_\_\_\_\_ Date: \_\_\_\_\_  
Contractor: \_\_\_\_\_ Approved by: \_\_\_\_\_ Date: \_\_\_\_\_

**PUMP DESIGN DATA**

Flow: \_\_\_\_\_  
Head: \_\_\_\_\_

**ENGINE DESIGN DATA**

HP: \_\_\_\_\_ RPM: \_\_\_\_\_  
Bat. Voltage: \_\_\_\_\_ Tank size: \_\_\_\_\_  
Other: \_\_\_\_\_

**NOTES**

- 1 Std. Discharge flange thickness ANSI 250#.
- 2 Coupling guard not shown.
- 3 All dimensions for engine connections are with reference to engine manufacturer's installation drawings.
- 4 Do not use for construction unless certified.
- 5 Right hand rotation only.

**FLANGE RATING**

- ANSI 125# STD<sup>1</sup>
- ANSI 125# Suction  
250# Discharge
- ANSI 250#
- PN 16

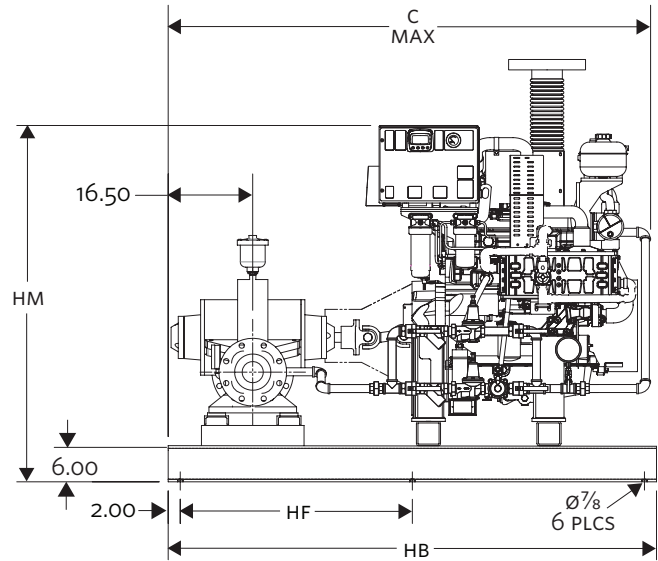
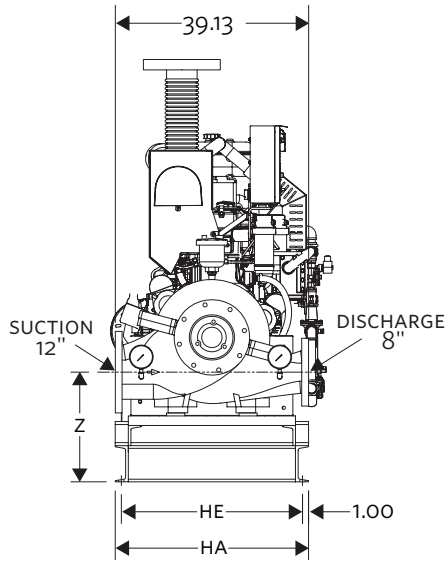
**FIRE PUMP LISTING**

- UL
- ULC
- FM

**ACCESSORIES**

- Exhaust system
- Fuel system
- Cooling system (mounted on engine)
- Battery system

12x8x20F	HORIZONTAL SPLIT CASE DIESEL DRIVEN	DIMENSIONS inches (mm)							WEIGHT	
		C	HA	HB	HE	HF	HM	Z	lbs (kg)	
Clarke	JU6H series	110.63 (2810)	32.00 (813)	105.00 (2667)	30.00 (762)	50.50 (1283)	75.15 (1909)	15.13 (384)	3432.9 (1557.17)	
	JW6H series	108.82 (2764)	32.00 (813)	110.00 (2794)	30.00 (762)	50.50 (1283)	82.70 (2101)	15.13 (384)	3834.2 (1739.17)	
	DQ6H series	109.24 (2775)	40.00 (1016)	115.00 (2921)	38.00 (965)	55.50 (1410)	79.62 (2022)	15.13 (384)	4231.04 (1919.17)	
	DS0H series	114.41 (2906)	40.00 (1016)	115.00 (2921)	38.00 (965)	55.50 (1410)	77.93 (1979)	15.13 (384)	4936.51 (2239.17)	
	C18H0 series	121.78 (3093)	32.00 (813)	122.00 (3099)	30.00 (762)	39.33 (999)	78.50 (1994)	15.13 (384)	5840.4 (2649.17)	
	DR8H series	107.55 (2732)	40.00 (1016)	115.00 (2921)	38.00 (965)	55.50 (1410)	75.55 (1919)	15.13 (384)	4429.4 (2009.17)	
	DT2H series	125.64 (3191)	40.00 (1016)	132.00 (3353)	38.00 (965)	43.00 (1092)	76.29 (1938)	15.13 (384)	6237.2 (2829.17)	
Cummins	CFP9E series	118.66 (3014)	32.00 (813)	110.00 (2794)	30.00 (762)	50.50 (1283)	75.63 (1921)	15.13 (384)	5209.8 (2363.17)	
	CFP15E series	129.66 (3293)	40.00 (1016)	132.00 (3353)	38.00 (965)	43.00 (1092)	72.70 (1847)	15.13 (384)	6589.9 (2989.17)	



- TORONTO  
+1 416 755 2291
- BUFFALO  
+1 716 693 8813
- DROITWICH SPA  
+44 121 550 5333
- MANCHESTER  
+44 161 223 2223
- BANGALORE  
+91 80 4906 3555
- SHANGHAI  
+86 21 5237 0909
- BEIJING  
+86 21 5237 0909
- SÃO PAULO  
+55 11 4785 1330
- LYON  
+33 4 26 83 78 74
- DUBAI  
+971 4 887 6775
- JIMBOLIA  
+40 256 360 030
- FRANKFURT  
+49 6173 999 77 55