



**43PF**

FILE NO:	F43.105e
DATE:	Feb. 28, 2008
SUPERSEDES:	New
DATE:	New

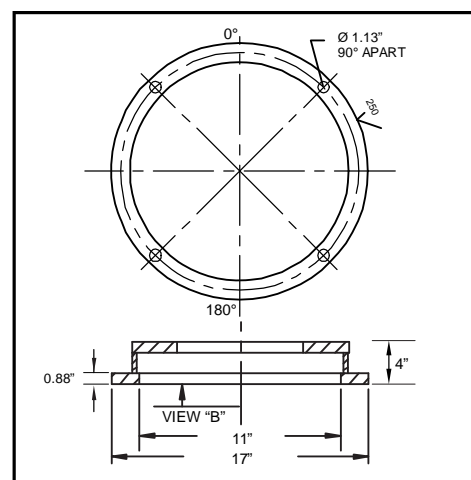
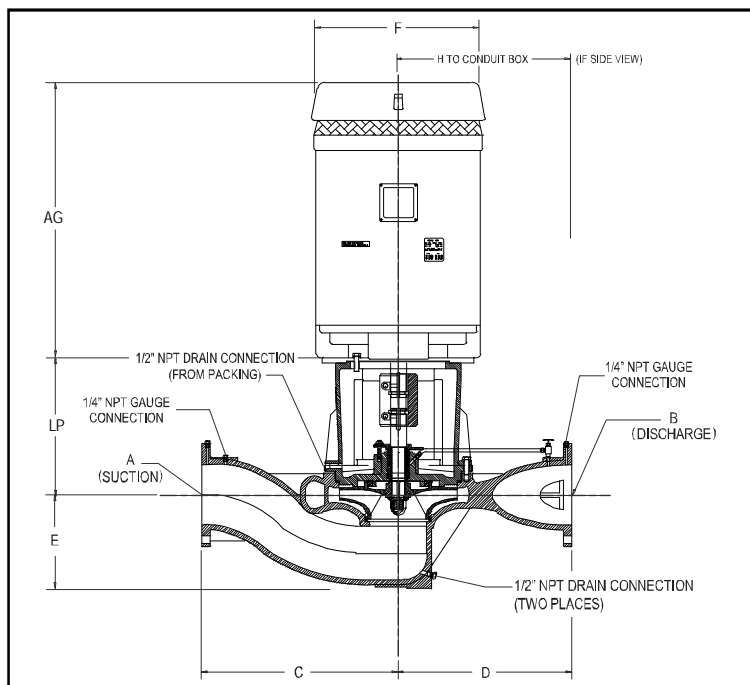
**8 x 8 x 16 FM**

**VIL FIRE PUMP - 50 Hertz**

**SUBMITTAL**

JOB: _____	REPRESENTATIVE: _____
ENGINEER: _____	ORDER NO: _____ DATE: _____
CONTRACTOR: _____	SUBMITTED BY: _____ DATE: _____
	APPROVED BY: _____ DATE: _____

TAG/REF:	FLOW	HEAD	MOTOR DATA	HP	RPM	VOLT	PH	Hz	ENCLOSURE
PUMP DATA									



Base for FM Approval Only

UL LISTED MOTOR DATA						
MOTOR FRAME	HP@ RPM	DIMENSIONS (inches)				WT. LBS
		LP MAX	F MAX	AG MAX	H MAX	
364	50	19.13	17.88	29.75	16.38	743
365	60	19.13	17.88	29.75	16.38	935
404	75	21.75	17.88	34.13	16.38	1073

PUMP DATA						
PUMP MODEL	DIMENSIONS (inches)					Wt. LBS.
	A	B	C	D	E	
43PF 8 x 8 x 16FM	8.00	8.00	25.87	22.87	12.34	918

FIRE PUMP LISTING	FLANGE RATING
<input type="checkbox"/> UL	<input type="checkbox"/> ANSI 125# STD
<input type="checkbox"/> ULC	<input type="checkbox"/> ANSI 250# STD
<input type="checkbox"/> FM	<input type="checkbox"/> PN 16

DO NOT USE FOR CONSTRUCTION UNLESS CERTIFIED

**S. A. Armstrong Limited**  
 23 Bertrand Avenue  
 Toronto, Ontario  
 Canada, M1L 2P3  
 T: (416) 755-2291  
 F (Main): (416) 759-9101

**Armstrong Pumps Inc.**  
 93 East Avenue  
 North Tonawanda, New York  
 U.S.A. 14120-6594  
 T: (716) 693-8813  
 F: (716) 693-8970

**Armstrong Holden Brooke Pullen**  
 Wenlock Way  
 Manchester  
 United Kingdom, M12 5JL  
 T: +44 (0) 161 223 2223  
 F: +44 (0) 161 220 9660



© S.A. Armstrong Limited 2008

*For Armstrong locations worldwide, please visit [www.armstrongpumps.com](http://www.armstrongpumps.com)*