

VERTICAL TURBINE DIESEL FIRE PUMP | 1000 GPM WITH 8x20 FABRICATED STEEL HEAD | SUBMITTAL

File No: F51.616
Date: JULY 15, 2013
Supersedes: F51.616
Date: AUGUST 15, 2005

Job: _____ Representative: _____

Order no.: _____ Date: _____

Engineer: _____ Submitted by: _____ Date: _____

Contractor: _____ Approved by: _____ Date: _____

Model: 8x14M VTF **Discharge head:** 8x20 F

RPM: 1770 Water lube

1000 GPM: _____ T.D.H

FM UL NFPA-20 only

Approval Construction

Engine model: _____

Ragd model: _____

Shaft model: _____

Controller model: _____

NOTES

- Dimension based on randolph gear drive. May vary when driver adaptor is required.
- Dimensions are in inches unless otherwise indicated.
- Engine to base mounting and cooling loop to be field installed and plumbed.
- Engine oil & anti freeze/coolant may not be included.
- Gear shipped filled with oil. Check level before installation.
- Refer dwg. no. _____ for Engine dimensions.
- Not to be used for construction unless certified.

PRESS RATE	DISCHARGE FLANGE INCH (mm)					
	DA	DC	DD	DF	DG	DK
300 #	15.00 (381)	13.00 (330)	13.00 (330)	8.00 (203)	1.00 (25)	1.63 (41)

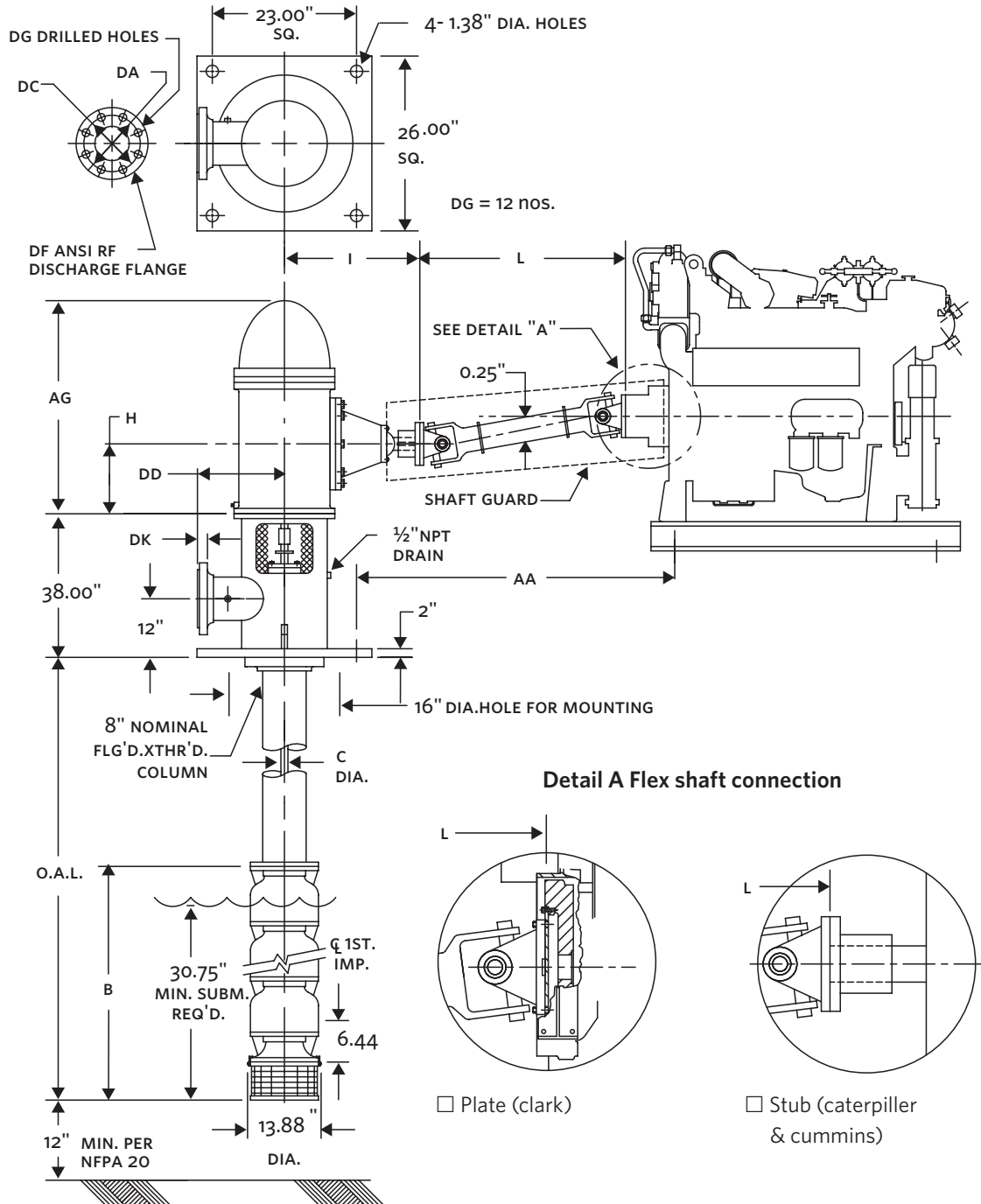


NO OF STG'S	DISCHARGE SIZE	RATING	RAGD	AG*	B	C	H*	I*	L	AA
	INCH (mm)		HP	INCH (mm)						
8	8.00 (203)	300	350	36.00 (914)	105.00 (2667)	1.94 (49)	13.75 (349)	21.75 (553)	—	—
9	8.00 (203)	300	350-400	36.00 (914)	114.88 (2896)	1.94 (49)	13.75 (349)	21.75 (553)	—	—

* Dimension based on randolph gear drive. May vary when driver adaptor is required.

SUBMITTAL
1000 GPM

Vertical turbine diesel Fire pump
1000 GPM with 8×20 Fabricated steel head



TORONTO
+1 416 755 2291

BUFFALO
+1 716 693 8813

BIRMINGHAM
+44 (0) 8444 145 145

MANCHESTER
+44 (0) 8444 145 145

BANGALORE
+91 (0) 80 4906 3555

SHANGHAI
+86 21 3756 6696

ARMSTRONG FLUID TECHNOLOGY
ESTABLISHED 1934

ARMSTRONGFLUIDTECHNOLOGY.COM