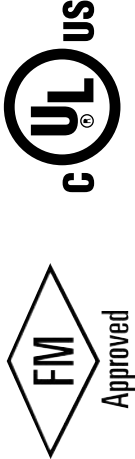


750 gpm with 8 x 12 Cast Iron Head

SUBMITTAL

VERTICAL TURBINE ELECTRIC
 FIRE PUMP



750 G.P.M. _____ T.D.H. _____

FM UL NFPA-20 ONLY
 APPROVAL CONSTRUCTION

MODEL 8x12M VTF

8 x 12 "A" DISCHARGE HEAD
 1770 R.P.M. WATER LUBE

MOTOR _____ HP _____
 VOLT _____ PH _____ HZ _____
 CONTROLLER MODEL _____

JOB NAME: _____
 ITEM NO. _____

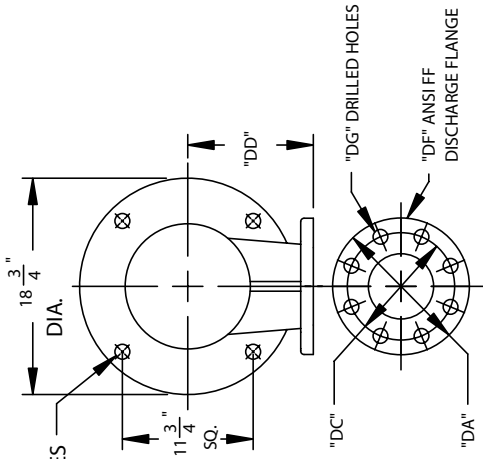
CUSTOMER _____

ORDER NO. _____
 MFG. REP. _____

DWG. NO. _____
 SERIAL NO. _____

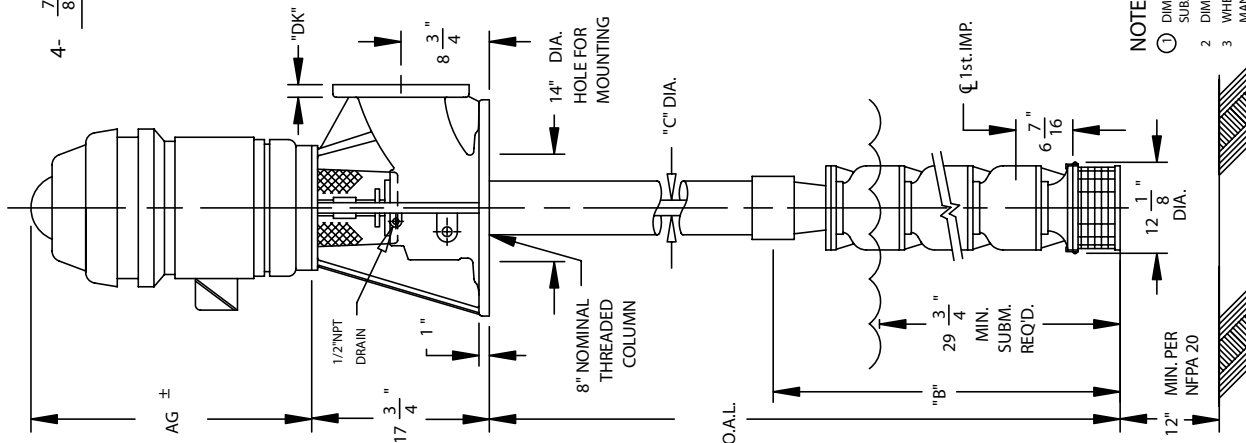
NOT TO BE USED
 FOR CONSTRUCTION
 UNLESS CERTIFIED

By: _____ Date: _____



PRESS RATE	DISCHARGE FLANGE					
	DA	DC	DD	DF	DG	DK
125 #	13 1/2	11 3/4	10 1/2	8	(8) 7/8	1 1/8

NO. OF STGS.	DISCH. SIZE & RATING	AG		B	C
		1	2		
3	8/125#	40 1/4	49 7/8	1 1/4	1 1/4
4	"	47 5/16	59 1/4	1 1/4	1 1/4
5	"	47 5/16	68 5/8	1 1/4	1 1/4



- NOTES:
- 1 DIMENSION BASED ON MOTOR HEIGHT OF A STANDARD WP-HOLLOW SHAFT MOTOR. SUBJECT TO CHANGE DEPENDING ON MOTOR MFG. AND/OR THE USE OF A MOTOR ADAPTOR.
 - 2 DIMENSIONS ARE IN INCHES UNLESS OTHERWISE INDICATED.
 - 3 WHEN MOTOR IS OIL LUBRICATED, OIL IS NOT FURNISHED. SEE OPERATION MANUAL FOR MANUFACTURER'S RECOMMENDATIONS.

FP-EA-04 (REV#3)