



## 3000 gpm with 12 x 20 Cast Iron Head

## SUBMITTAL

VERTICAL TURBINE ELECTRIC  
 FIRE PUMP



3000 G.P.M. T.D.H.  
 FM  UL  NFPA-20 ONLY  
 APPROVAL  CONSTRUCTION

MODEL 12x18L VTF  
 12 x 20 "A" DISCHARGE HEAD  
 1770 R.P.M. WATER LUBE

MOTOR \_\_\_\_\_ HP \_\_\_\_\_  
 VOLT \_\_\_\_\_ PH \_\_\_\_\_ HZ \_\_\_\_\_  
 CONTROLLER MODEL \_\_\_\_\_

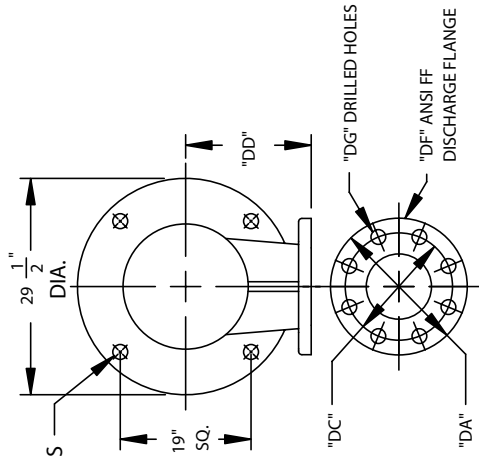
JOB NAME: \_\_\_\_\_  
 ITEM NO. \_\_\_\_\_

CUSTOMER \_\_\_\_\_

ORDER NO. \_\_\_\_\_  
 MFG. REP. \_\_\_\_\_

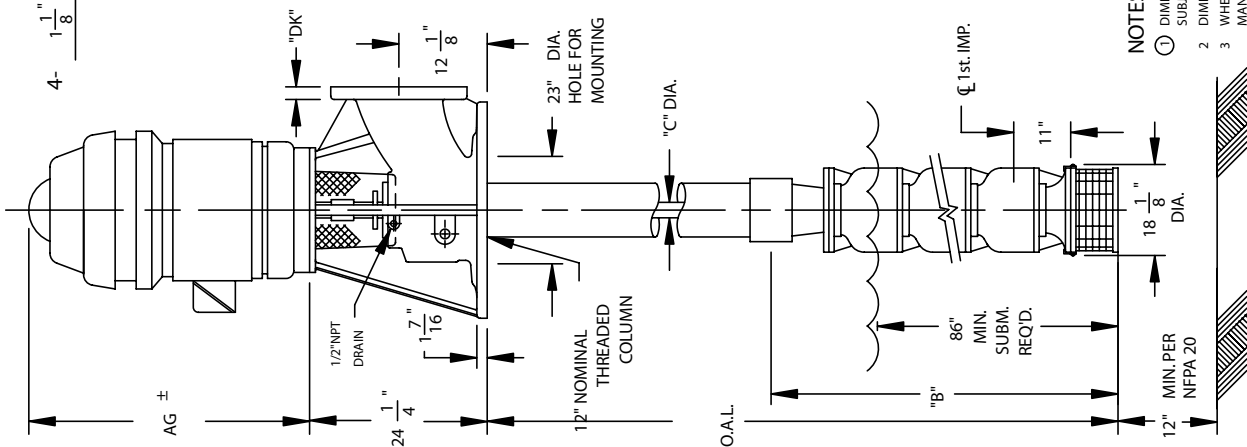
DWG. NO. \_\_\_\_\_  
 SERIAL NO. \_\_\_\_\_

NOT TO BE USED  
 FOR CONSTRUCTION  
 UNLESS CERTIFIED  
 By: \_\_\_\_\_ Date: \_\_\_\_\_



PRESS RATE	DISCHARGE FLANGE					
	DA	DC	DD	DF	DG	DK
125 #	19	17	16 1/2	12	(12) 1	1 1/4
250 #	20 1/2	17 3/4	17 1/4	12	(16) 1 1/4	2

NO. OF STG'S.	DISCH. SIZE & RATING	AG	B	C
3	12/250#	61 7/8	66 1/2	1 15/16



NOTES :

- 1 DIMENSION BASED ON MOTOR HEIGHT OF A STANDARD WP-HOLLOW SHAFT MOTOR. SUBJECT TO CHANGE DEPENDING ON MOTOR MFG. AND/OR THE USE OF A MOTOR ADAPTOR.
- 2 DIMENSIONS ARE IN INCHES UNLESS OTHERWISE INDICATED.
- 3 WHEN MOTOR IS OIL LUBRICATED, OIL IS NOT FURNISHED. SEE OPERATION MANUAL FOR MANUFACTURER'S RECOMMENDATIONS.