



3500 gpm with 12 x 20 Cast Iron Head

SUBMITTAL

VERTICAL TURBINE ELECTRIC
FIRE PUMP



3500 G.P.M. _____ T.D.H. _____
 FM UL NFPA-20 ONLY
 APPROVAL CONSTRUCTION

MODEL 12x18M VTF
 12 x 20 "A" DISCHARGE HEAD
 1770 R.P.M. WATER LUBE

MOTOR _____ HP _____
 VOLT _____ PH _____ HZ _____
 CONTROLLER MODEL _____

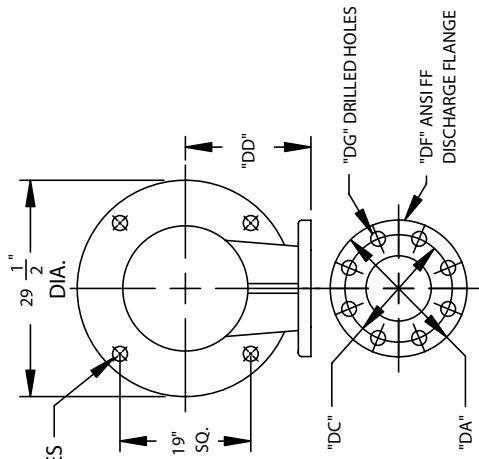
JOB NAME: _____
 ITEM NO. _____

CUSTOMER _____

ORDER NO. _____
 MFG. REP. _____

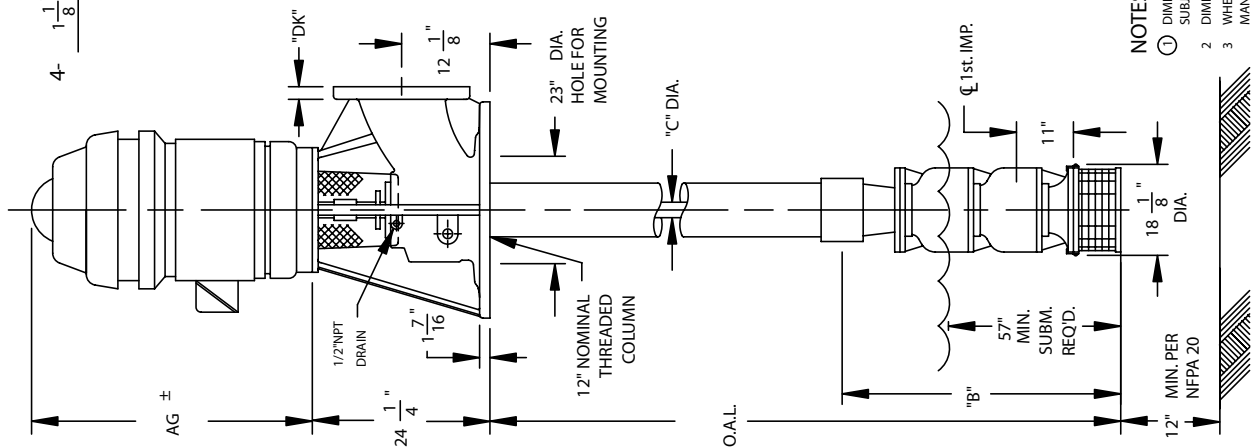
DWG. NO. _____
 SERIAL NO. _____

NOT TO BE USED
 FOR CONSTRUCTION
 UNLESS CERTIFIED
 By: _____ Date: _____



PRESS RATE	DISCHARGE FLANGE				
	DA	DC	DD	DF	DK
125 #	19	17	16 1/2	12	(12) 1 1/4

NO. OF STG'S.	DISCH. SIZE & RATING	AG	C	
			B	C
2	12/125#	61 7/8	54	1 15/16



NOTES :

- 1 DIMENSION BASED ON MOTOR HEIGHT OF A STANDARD WPI-HOLLOW SHAFT MOTOR. SUBJECT TO CHANGE DEPENDING ON MOTOR MFG. AND/OR THE USE OF A MOTOR ADAPTOR.
- 2 DIMENSIONS ARE IN INCHES UNLESS OTHERWISE INDICATED.
- 3 WHEN MOTOR IS OIL LUBRICATED OIL IS NOT FURNISHED. SEE OPERATION MANUAL FOR MANUFACTURER'S RECOMMENDATIONS.