

## 4000 gpm with 12 x 20 Cast Iron Head (FM Only)

## SUBMITTAL

VERTICAL TURBINE ELECTRIC  
FIRE PUMP



4000 G.P.M. \_\_\_\_\_ T.D.H.  
 FM  NFPA-20 ONLY  
 APPROVAL  CONSTRUCTION

MODEL 12x18H VTF

12 x 20 "A" DISCHARGE HEAD  
1770 R.P.M. WATER LUBE

MOTOR \_\_\_\_\_ HP \_\_\_\_\_  
 VOLT \_\_\_\_\_ PH \_\_\_\_\_ HZ \_\_\_\_\_  
 CONTROLLER MODEL \_\_\_\_\_

JOB NAME: \_\_\_\_\_  
 ITEM NO. \_\_\_\_\_

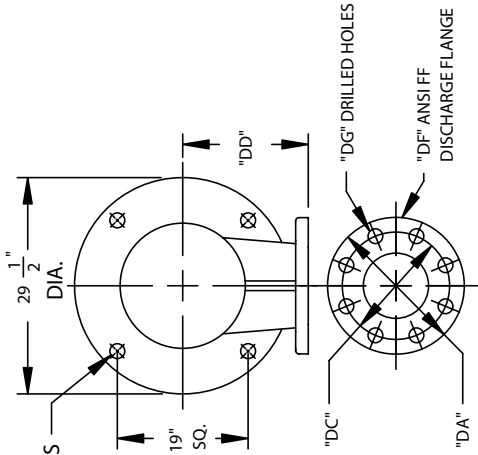
CUSTOMER \_\_\_\_\_

ORDER NO. \_\_\_\_\_  
 MFG. REP. \_\_\_\_\_

DWG. NO. \_\_\_\_\_  
 SERIAL NO. \_\_\_\_\_

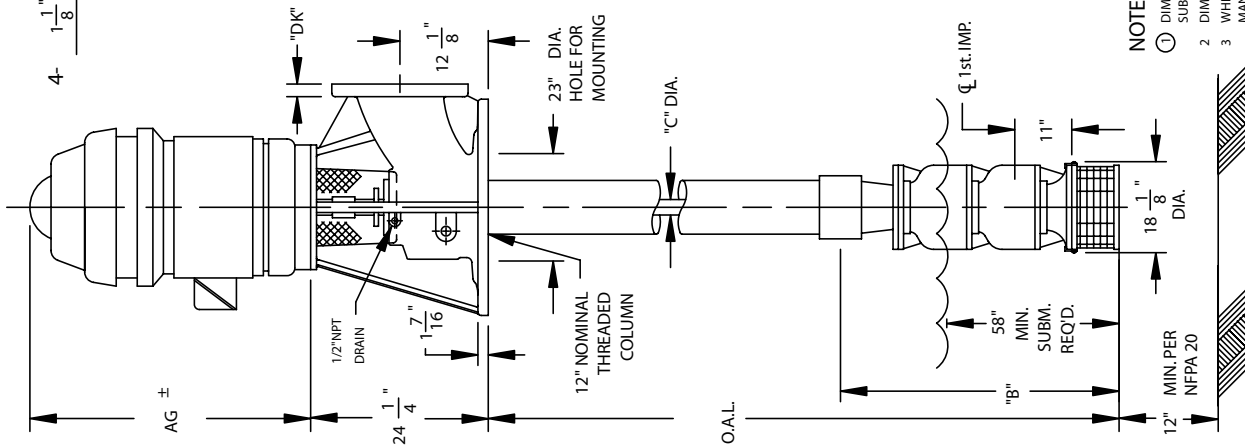
NOT TO BE USED  
FOR CONSTRUCTION  
UNLESS CERTIFIED

By: \_\_\_\_\_ Date: \_\_\_\_\_



PRESS RATE	DISCHARGE FLANGE					
	DA	DC	DD	DF	DG	DK
125 #	19	17	16 1/2	12	(12) 1	1 1/4

NO. OF STGS.	DISCH. SIZE & RATING	AG	C	
			B	54
2	12/125#	61 7/8	54	1 15/16



- NOTES:
- 1 DIMENSION BASED ON MOTOR HEIGHT OF A STANDARD WP-I HOLLOW SHAFT MOTOR. SUBJECT TO CHANGE DEPENDING ON MOTOR MFG. AND/OR THE USE OF A MOTOR ADAPTOR.
  - 2 DIMENSIONS ARE IN INCHES UNLESS OTHERWISE INDICATED.
  - 3 WHEN MOTOR IS OIL LUBRICATED OIL IS NOT FURNISHED. SEE OPERATION MANUAL FOR MANUFACTURER'S RECOMMENDATIONS.