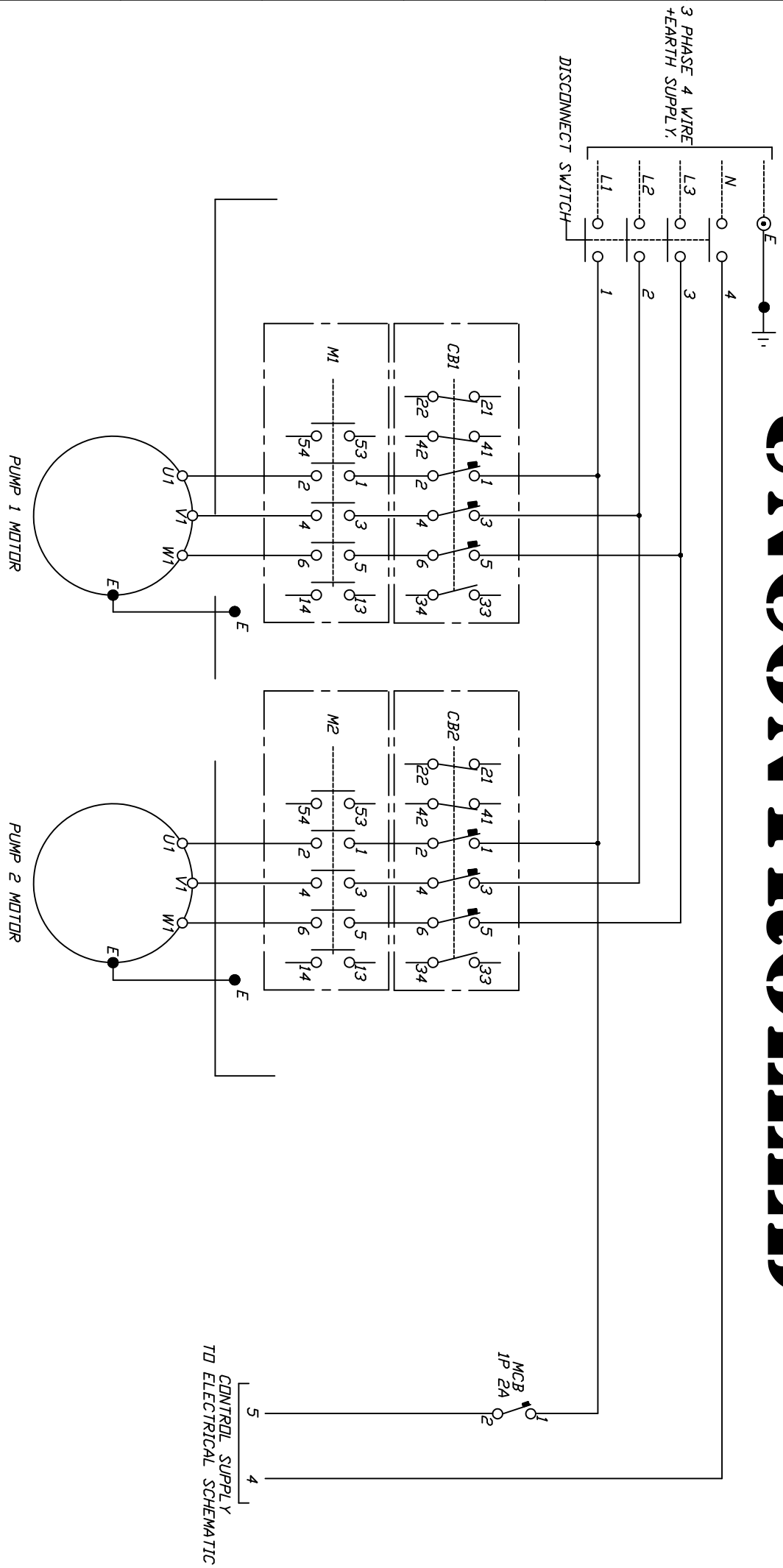


UNCONTROLLED



CONTROL SUPPLY
TO ELECTRICAL SCHEMATIC

LAST MODIFICATION DETAILS		JOB No.		PART No.		WEIGHT KG		FILE NAME		DRG No.	
DRAWING BORDER CHANGED		-		-		-		px10059-3		PX10059-3	
ALL DIMENSIONS IN mm DRAWN TO BS308 WELDING SYMBOLS TO BS499 SURFACE FINISH SHOWN IN MICROMETERS MACHINE WHERE SHOWN TO TOLERANCE ± 0.3MM UNLESS OTHERWISE STATED		DESIGN No.		PATTERN No.		MATERIAL		MAT'L SPEC.		DATE 11/10/2000	
ISSUE 3		DATE 15/02/2006		DRN PJB		APP PJB		SHEET 1 OF 1		DRN BSD	
CHK PJB		APP PJB		-		-		-		APP EGU	
										VENLOCK WAY, MANCHESTER, M12 5JL TELE +44 (0) 161 223 2223	

